

INSTALL INSTRUCTIONS FOR 75-5145

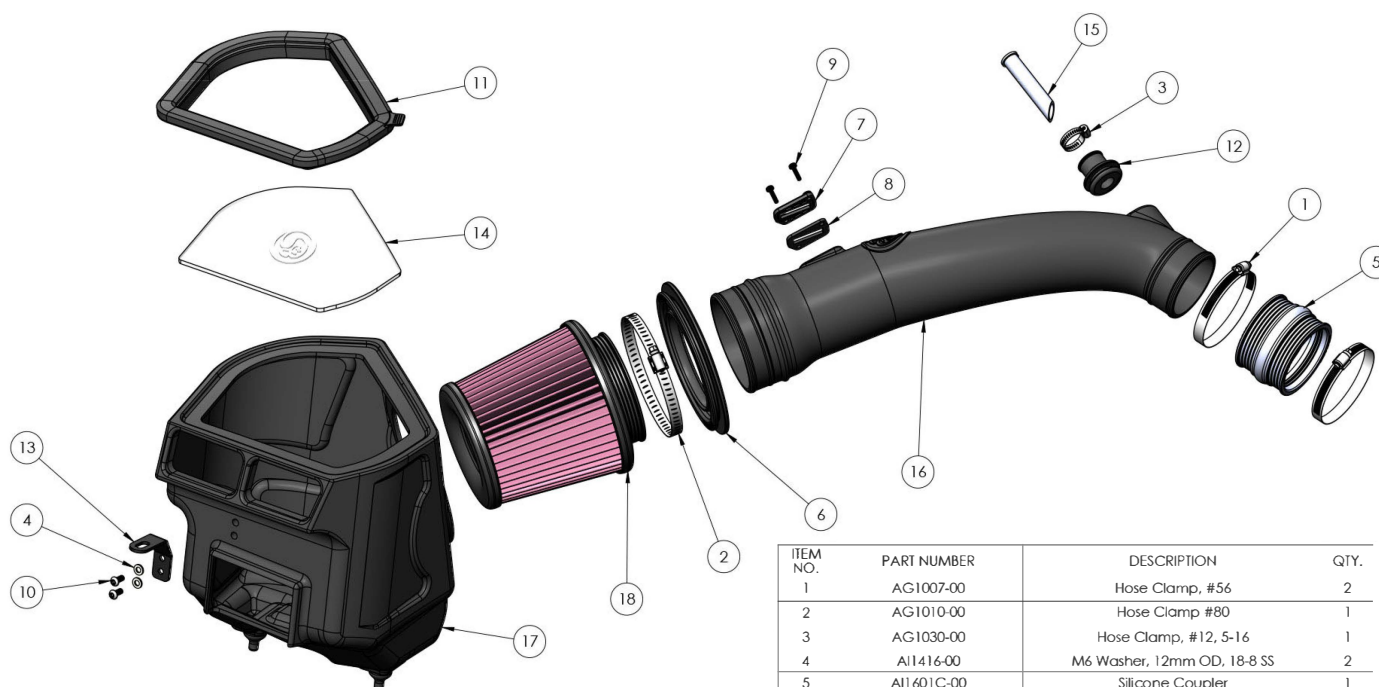
BEFORE YOU START

Note: This intake kit may not fit with the following Aftermarket Parts installed:

Body Lift or Lowering Kit, Custom Hood, Throttle Body Spacer Note: Approximate Install Time: 1 Hr 00 Mins. / Upgrade, Aftermarket turbocharger

REQUIRED TOOLS

Ratchet/Wrench, 8mm & 10mm Socket, Panel Popper, Crescent Wrench, Phillips Screwdriver and Scissors



ITEM NO.	PART NUMBER	DESCRIPTION	QTY.
1	AG1007-00	Hose Clamp, #56	2
2	AG1010-00	Hose Clamp #80	1
3	AG1030-00	Hose Clamp, #12, 5-16	1
4	AI1416-00	M6 Washer, 12mm OD, 18-8 SS	2
5	AI1601C-00	Silicone Coupler	1
6	AI1650C-00	Tube Seal	1
7	AI1822-00	MAF Mount, Black	1
8	AI1823-00	Gasket, for MAF mount - AI1822-00	1
9	AI1837-00	Sems Screw, #8-32 x .75" Lg, SS	2
10	AI2269-00	18-8 SS BHCS M6 x 1 x 14mm	2
11	AI2597C-00	Snap In Lid	1
12	AI2624C-01	Pressure Sensor Grommet, 75-5145	1
13	AI2638-00	Air Box Mounting Bracket 75-5145	1
14	AI2652-00	Clear Lid	1
15	AI2742-00	CCV Insert Tube, Machined, Alum., 75-5145	1
16	AL1383-00	Tube for 75-5145	1
17	AL1383B-00	Airbox for 75-5145	1
18	KF-1084	Air Filter	1

STEP 1

With the ignition switched off and the parking brake set. Disconnect the negative battery cable on the passenger side.

IMPORTANT: Failure to disconnect the battery for a minimum of 2 hours may cause the Check Engine Light to illuminate upon completion of the installation or subsequent operation.

DO NOT SKIP THIS STEP!



Tools Required: Ratchet,
10mm Socket/Wrench.

STEP 2A

Remove the two 10mm bolts holding the engine cover down. With the bolts removed, pull upwards and forwards to remove the

engine cover from the vehicle.



STEP 2B



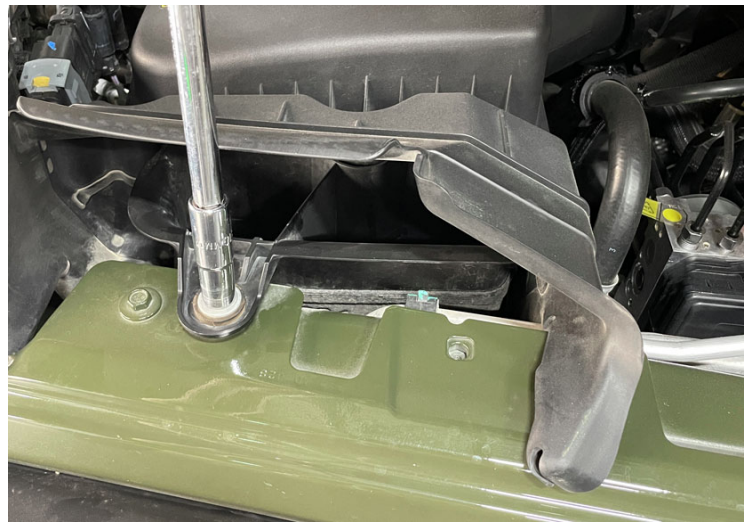
STEP 3

Remove the Mass Air Flow Sensor connector from the sensor itself. Slide the gray locking tab away from the sensor and depress the tab to remove the connector.



STEP 4

Remove the bolt that secures the factory air box to the fender of the jeep. This bolt will be reused with the new S&B kit.



STEP 5

Loosen the hose clamp on the angled coupler at the end of the intake tube.



STEP 6

Remove the crimp clamp that attaches the Crank Case Ventilation (CCV) hose to the intake tube. You will not reuse this clamp so we recommend cutting it carefully to remove it. Be sure to only remove the clamp on the intake tube side of the hose. Remove the hose from the intake tube

once the clamp is removed.



STEP 7

Remove the factory intake system from the vehicle.



STEP 8A

Transfer the Mass Air Flow Sensor to the S&B intake tube by removing the two Torx screws. Install the Sensor into the MAF adapter plate (Item #7) and install the foam MAF gasket (Item #8) between the intake tube and the MAF adapter plate.

Use the two provided phillips screws (Item #9) and tighten until the foam gasket is depressed.



STEP 8B



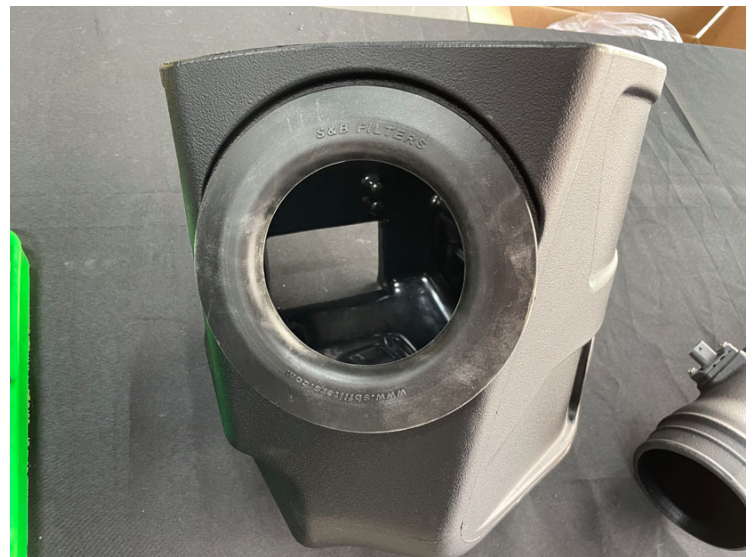
STEP 9

Install the 90 degree bracket (Item #13) onto the airbox using the two allen screws and provided washers (Items #4 & #10) . Orient the bracket so the flat section with the single hole is facing the top of the airbox.



STEP 10

Install the Tube Seal (Item #6) into the S&B air box.



STEP 11A

Install the CCV Grommet (Item #12) into the S&B intake tube. This grommet is a very tight fit to ensure a great seal so we recommend twisting the grommet into place and rotating it until

the entire flange snaps into place. Then loosely install the hose clamp (Item #3) onto the grommet.



STEP 11B

Install the CCV Venturi Tube (Item #15) into the CCV grommet. The notch in the tube must be facing the line on the grommet and line on the tube. This tube is also a tight fit so we recommend using a socket and extension to help push the tube completely into the grommet. Push until the flange on the venturi tube makes contact with the shelf in the grommet.



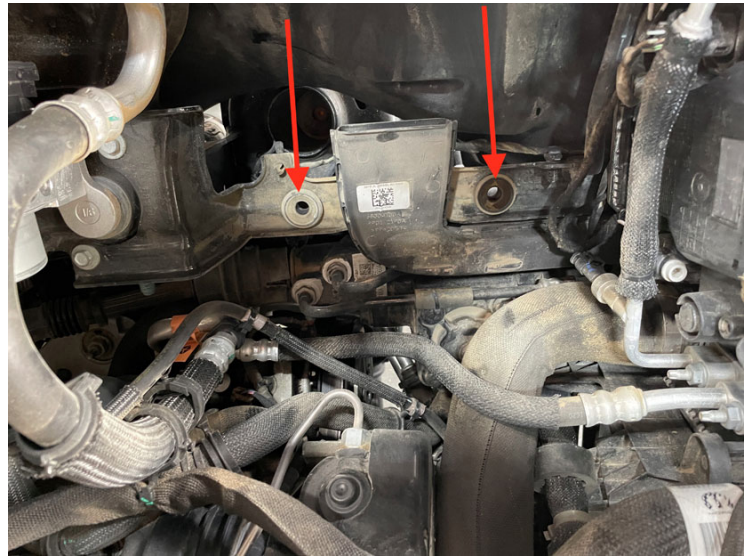
STEP 12

Install the coupler (Item #5) onto the intake tube and install the hose clamps onto the coupler.



STEP 13

Verify the rubber grommets are still in place in the vehicle and did not pop out when removing the factory intake.



STEP 14

Install the S&B Airbox into the vehicle. The two prongs on the bottom of the airbox will fit into the rubber grommets shown in the previous step. Reinstall the bolt into the fender to secure the airbox.



STEP 15A

Install the intake tube into the airbox and slide the coupler onto the turbo inlet tube. Tighten the hose clamps on the coupler.



STEP 15B



STEP 16

Install the CCV tube into the S&B grommet and tighten the hose clamp.



STEP 17

Remove the protective film from the S&B air box lid.



STEP 18

Install the air box lid into the snap in lid seal and install it into the air box



STEP 19

Reconnect the Mass Air Flow harness to the sensor and slide the gray locking tab back into position once installed.



STEP 20

Reconnect the negative terminal on the battery.



STEP 21

Reinstall the engine cover and tighten the two 10mm bolts that hold it in place.

