

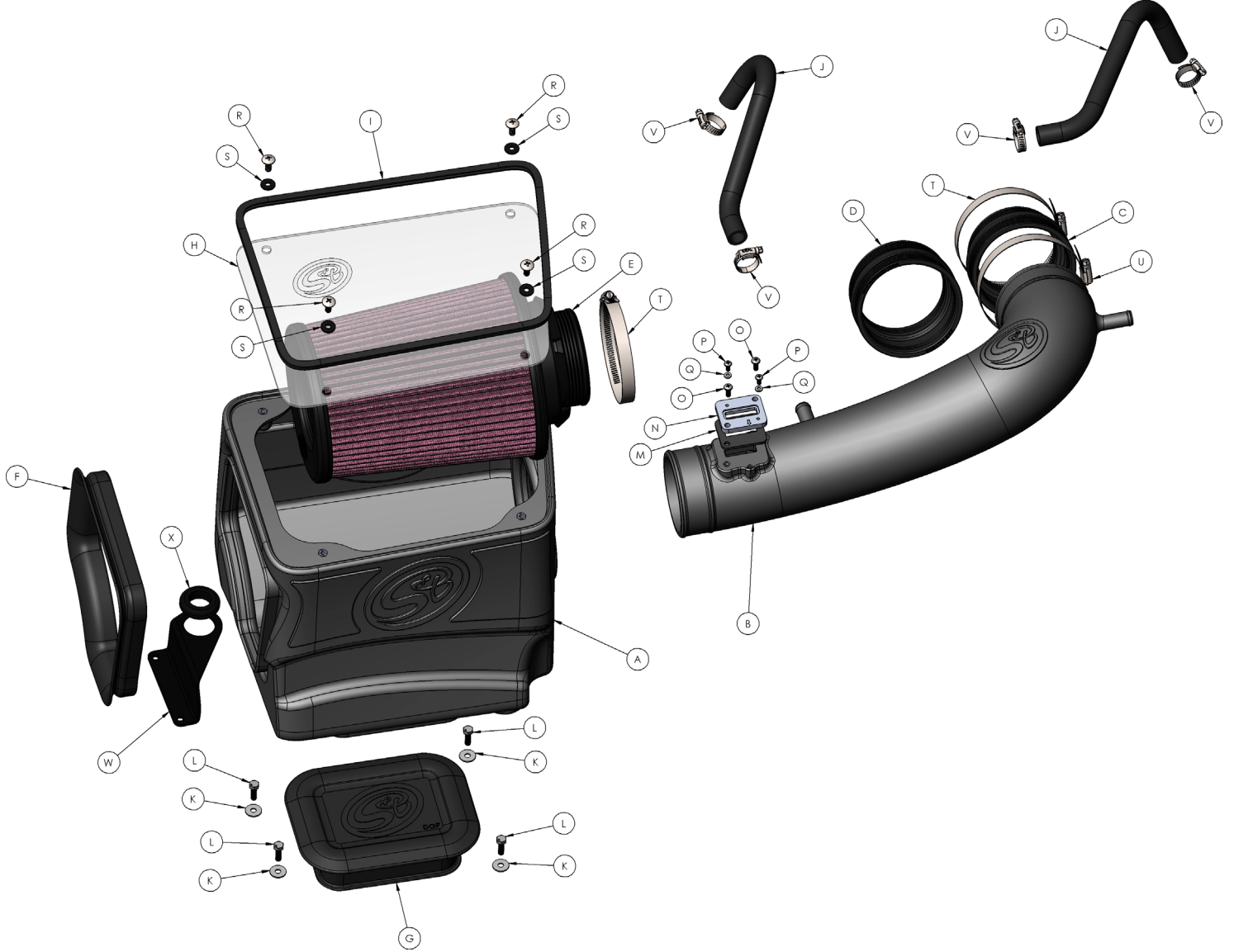
INSTALL INSTRUCTIONS FOR 75-5116

BEFORE YOU START

- 8mm, 10mm, 13mm Wrench/Socket
 - Pin Removal Tool or Flat Blade Screwdriver
 - 7/16" Wrench and Socket
 - 5/16" Nut Driver or Flat Blade Screwdriver
 - Phillips Screwdriver
 - 1 Set of Torx Wrenches & Allen Wrenches
 - 1 Pair of Pliers or similar tool
 - Note: This intake kit may not fit with the following Aftermarket Parts installed: Body Lift or Lowering Kit, Custom Hood, Throttle Body Spacer / Upgrade
-
- ***Note: Will Not Fit Hybrid Engine Models**

REQUIRED TOOLS

- 8mm, 10mm, 13mm Wrench/Socket
- Pin Removal Tool or Flat Blade Screwdriver
- 7/16" Wrench and Socket
- 5/16" Nut Driver or Flat Blade Screwdriver
- Phillips Screwdriver
- 1 Set of Torx Wrenches & Allen Wrenches
- 1 Pair of Pliers or similar tool



ITEM	QTY.	DESCRIPTION	P/N	ITEM	QTY.	DESCRIPTION	P/N
A	1	Air Box	AL1224B-00	O	2	Screw 10-32 x 1/2"	AI1640-00
B	1	Intake Tube	AL1224-00	P	2	Screw 8-32 x 3/8"	AI1639-00
C	1	Coupler (For 5.3L)	AI1665C-00	Q	2	Rubber Washer #8	AI1200-00
D	1	Coupler (For 6.2L)	AI1542C-01	R	4	Screw 1/4-20 x 5/8"	AI1569-00
E	1	S&B Filter	KF-1060	S	4	Rubber Washer 1/4"	AI1571-00
F	1	Fender Seal	AI1550-00	T	2	Hose Clamp #64	AG1018-00
G	1	Box Plug	AI1559-00	U	1	Hose Clamp #72	AG1009-00
H	1	Lid	AI1664-00	V	4	Hose Clamp #10	AG1035-00
I	1	Lid Seal	AI1636-05	W	1	Filter Support Bracket	AI2110-00
J	2	Hoses	AI1039-09	X	1	Grommet	AI1368-00
K	4	M6 Washer	AI1535-00				
L	4	M6 Bolt	AI1545-00				
M	1	MAF Gasket	AI1637-00				
N	1	MAF Plate	AI1209-00				

STEP 1

With the ignition switched off and the parking brake set, disconnect the negative battery cable on the passenger's side.

IMPORTANT: Failure to disconnect the battery for a minimum of 2 hours may cause the Check Engine Light to illuminate upon completion of the installation or subsequent operation **DO NOT SKIP THIS STEP!**



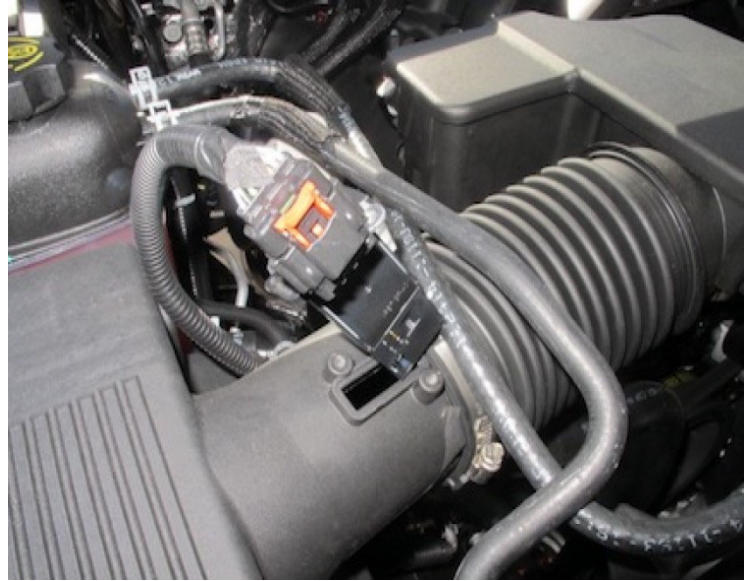
STEP 2

The sensor must be removed from the factory intake cover using a Torx bit.



STEP 3

Once the sensor is removed, disconnect the sensor from the harness by pulling the **Red** tab out and pressing down on the release button while pulling out. Place the sensor in a safe location for later install.



STEP 4

Use a nut driver to loosen the hose clamp on the factory airbox cover.



STEP 5

Once the hose clamp is loose, pull tube to the right to remove from factory airbox cover.



STEP 6A

Remove the factory hose from the OE resonator box by first pressing in the grey button up on the bottom.



STEP 6B

Continue from Step 6.



STEP 6B (IMAGES 2)



STEP 7

Loosen the hose clamp at the throttle body.



STEP 8

Remove the resonator box off the throttle body and out of the vehicle.



STEP 9

Remove both crankcase hoses from each valve cover by pressing in the grey button then lift up.



STEP 10

Remove the top bolt from the front cross bar using a 10mm socket.



STEP 10

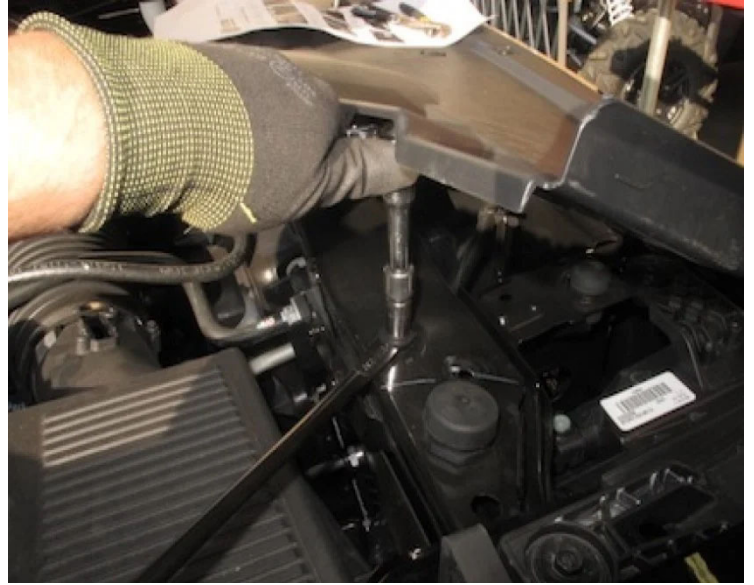
Remove the 4 plastic push pins on the far left side of the front liner to gain access to the front crossbar. To remove the push pins use a flat blade screw driver to pop out the top head and pull out.



STEP 12

Lift up on the liner and remove the lower bolt using a 10mm socket from the front crossbar. Remove from

the vehicle, this part will be reinstalled later.



STEP 13

Disconnect the clip securing the MAF harness to the airbox. Then remove the bottom portion of the factory airbox by pulling up and out.



STEP 14

Remove all four bolts from the factory mounting plate then remove the factory mounting plate from the vehicle.



STEP 14 (IMAGE 2)



STEP 15

Install the Side Fender Seal (F) onto the airbox (A) and press on firmly.



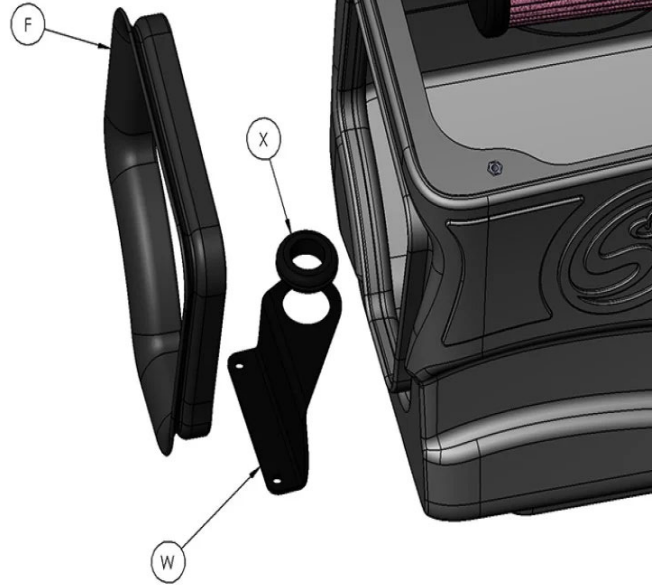
STEP 16

Determine if you want to install the Box Plug (G) onto the airbox (A) or leave it open. If the Box Plug is desired, simply press the Box Plug into the box opening until it snaps into place.



STEP 17

Insert the Grommet (X) onto the Filter Support Bracket (W) and place inside the airbox (A).



STEP 18

Note: If you have vehicles equipped with HID headlights proceed to Step 19, otherwise continue with Step 18. Install the Airbox (A) and remember to properly align the fender seal to the side fender opening. Secure the airbox and Filter Support Bracket (W) with the M6 Bolts (L) and Washers (K). Make sure all fasteners are tightened. Go to Step 22.

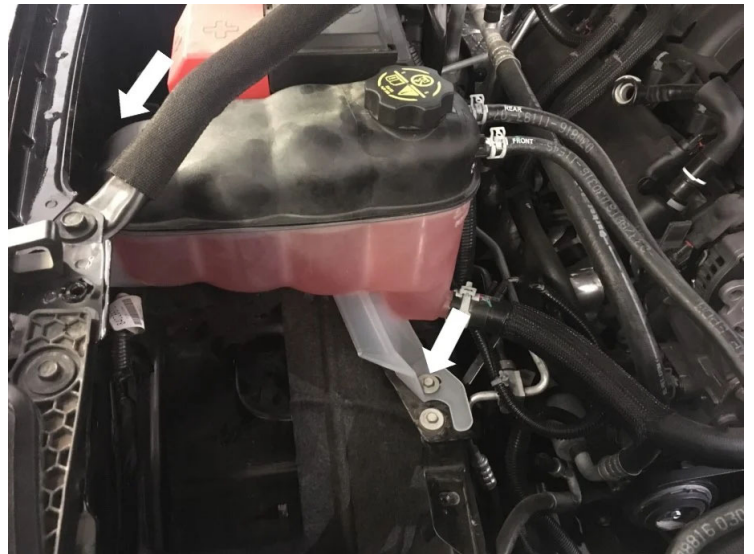


STEP 18 (IMAGE 2)



STEP 19

If you have vehicles equipped with HID headlights there is an extra step that will be needed to install the Airbox (A) due to the headlights protrudes out the back more so than the regular headlights. Use a 10mm to remove the two fasteners securing the coolant reservoir in the front and behind the battery. Set the fasteners aside they will be reused in Step 20. Set the coolant reservoir on top of the engine.



STEP 19 (IMAGE 2)



STEP 20

Install the Airbox (A) and remember to properly align the fender seal to the side fender opening.



STEP 21

Before securing the Airbox (A) you will have to reinstall the coolant reservoir. Lift one side of the airbox slightly and slide the coolant reservoir into position. Reinstall the fasteners removed in Step 18 with a 10mm. Then secure the

airbox and Filter Support Bracket (W) with the M6 Bolts (L) and Washers (K). Make sure all fasteners are tightened.

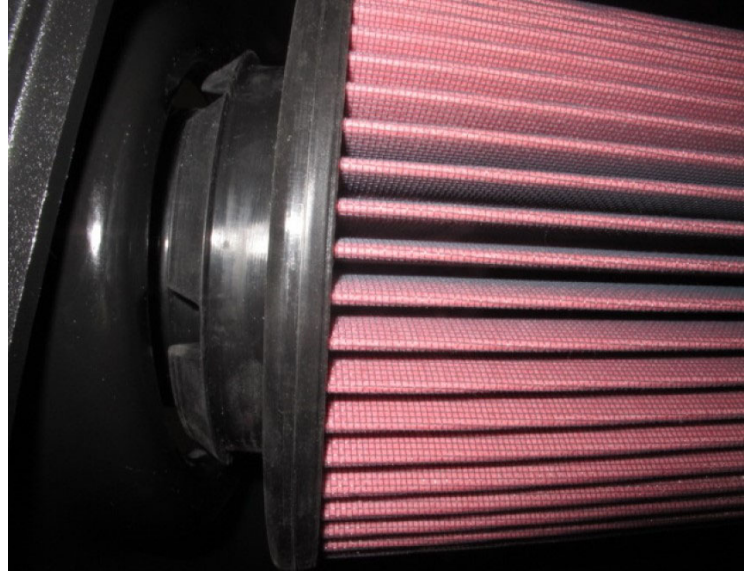


STEP 21 (IMAGE 2)



STEP 22

Install the Air Filter (E) by pressing the filter tabs through the side of the Airbox (A). The filter should lock into place when the tabs are secured.



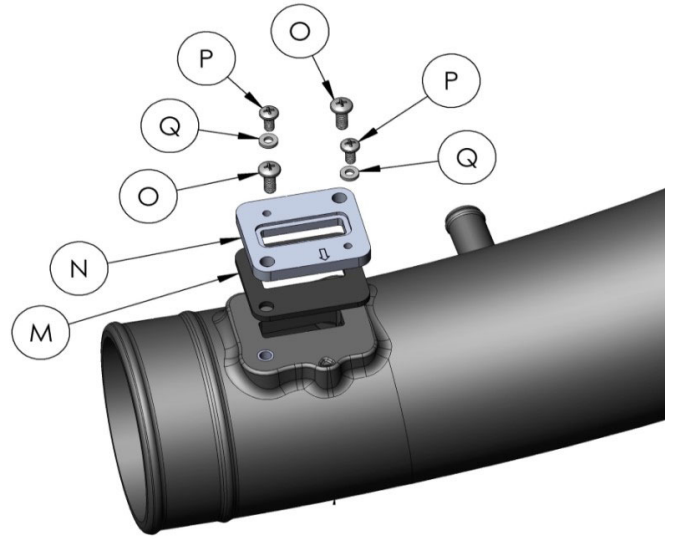
STEP 23

Install the larger side of the Coupler (C or D) onto the Air Tube (B) with the #72 and #64 Hose Clamps (U & T). Tighten the #72 Hose Clamp at the intake tube. The coupler used is dependent on the vehicle engine liter you have **NOTE:** (5.3L use A11665C-00, 6.2L use A11542C-00)



STEP 24

Use the provided Hardware (O) to install the MAF Plate (N) and Gasket (M) onto the Air Tube (B). The arrow on the plate should line up with the arrow on the tube.



STEP 25

Use the provided Hardware (P & Q) to install the MAF sensor onto the MAF Plate.

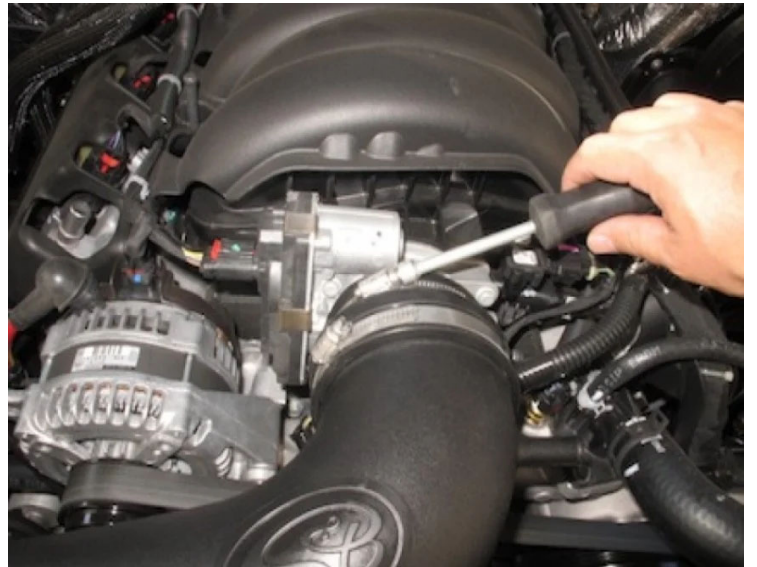


STEP 26

Install the #64 Hose Clamp (T) loosely over the Air Filter (E) push the Intake Tube (B) into the filter then slide the intake tube and coupler onto the throttle body. Once positioned properly tighten all hose clamps.



STEP 26 (IMAGE 2)



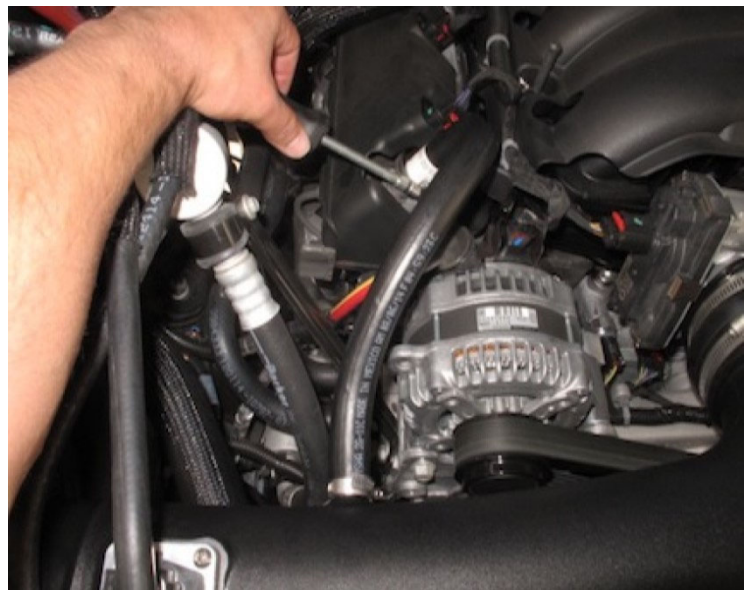
STEP 27

Connect the MAF harness to the MAF sensor. Make sure the red locking latch is secure.

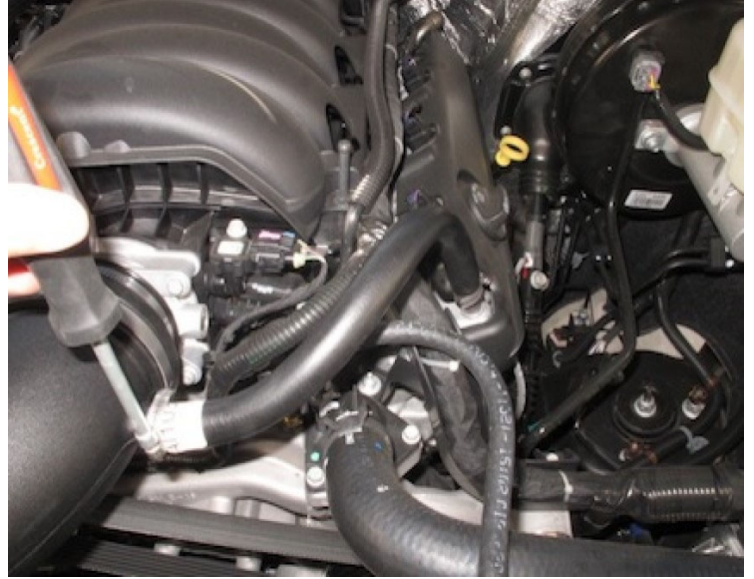


STEP 28

Use the provided Hose Clamps (V) and Crankcase Hoses (J) to install onto the valve cover's intake tube. Once the hoses are secure to the Intake Tube, install onto the vehicle and tighten down with the provided Hose Clamps (V).



STEP 28 (IMAGE 2)



STEP 29

Remove the protective covering on the Clear Lid (H) and install the Lid Bumper (I).



STEP 30

Install the Clear Lid (H) using the provided Hardware (R & S).



STEP 31

Reinstall the front crossbar and push pins on the plastic liner.



STEP 32

Reconnect the negative terminal on both batteries. Inspect your installation, make sure the kit is properly positioned and all fasteners are secure. Affix the ID label near the intake kit. The installation is now complete.

