

**Performance
Transmission Cooler
Bar and Plate
2011-2014 LML GM 6.6L
Allison 1000/2000 Series**

(124063000)

Installation Guide



DISCLAIMER OF LIABILITY

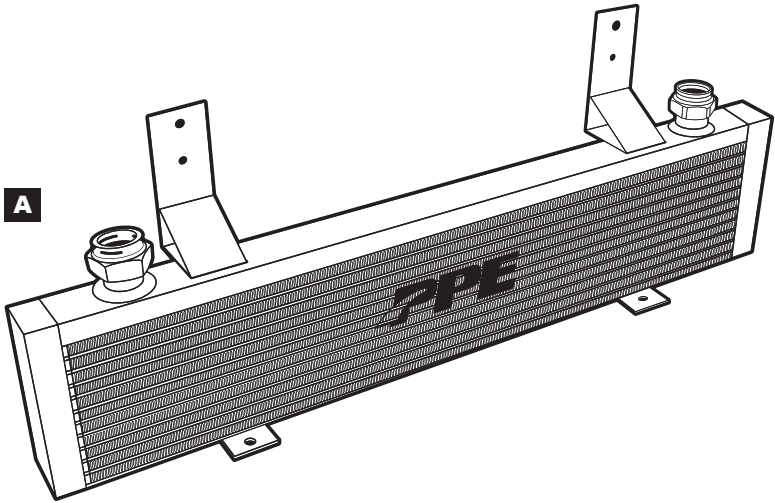
Performance products can increase horsepower above and beyond factory specifications. Additional horsepower creates more stress on the drive-train components, which could result in drive-train failure.

Note regarding emissions-related, non-E.O.-legal products: THESE PRODUCTS ARE LEGAL IN CALIFORNIA ONLY FOR RACING VEHICLES THAT MAY NEVER BE USED, OR REGISTERED OR LICENSED FOR HIGHWAY OR OFF-ROAD USE.

This agreement sets forth the terms and conditions for the use of PPE products. The installation of this product indicates that the Buyer has read and understands this agreement and accepts the terms and conditions. PPE (Pacific Performance Engineering) Inc., its distributors, employees, and dealers (the "Seller") shall not be responsible for the product's proper use and service. The buyer hereby waives all liability claims. The Buyer hereby acknowledges no reliance on the Seller's skill or judgment to select or furnish goods suitable for any particular purpose and that there are no liabilities which extend beyond the description on the face hereof, and the Buyer hereby waives all remedies or liabilities expressed or implied, arising by law or otherwise (including without any obligation of the Seller with respect to fitness, merchantability and consequential damages), or whether or not occasioned by the Seller's negligence. The Seller disclaims any warranty and expressly disclaims any liability for personal injury or damages. The Buyer acknowledges and agrees that the disclaimer of any liability for personal injury is a material term for this agreement and the Buyer agrees to indemnify the Seller and to hold the Seller harmless from any claim related to the item of equipment purchased. Under no circumstances will the Seller be liable for any damages or expenses by reason of use or sale of any such equipment. The Seller assumes no liability regarding the improper installation or misapplication of its products. It is the installer's responsibility to check for proper installation and if in doubt, contact the manufacturer. The Buyer is solely responsible for all warranty issues from the manufacturer.

LIMITATION OF WARRANTY

The Seller gives Limited Warranty as to description, quality, merchantability, and fitness for a particular purpose, productiveness, or any other matter of Seller's product sold herewith. The Seller shall not be responsible for the products proper use and service and the Buyer hereby waives all rights other than those expressly written herein. This warranty shall not be extended, altered or varied except by a written instrument signed by Seller and Buyer. The Warranty on PPE Manifolds and Up-Pipes Kits, OEM-Length Up-Pipes is three (3) years, a limited lifetime warranty on PPE cast aluminum pans and covers, and a limited lifetime warranty on PPE Transmission Coolers and one (1) year limited warranty on all other PPE products from the date of sale to original buyer and limited solely to the parts contained within the products kit. All products that are in question of Warranty must be returned prepaid to the Seller and must be accompanied by a dated proof of purchase receipt. All Warranty claims are subject to approval by Seller. Under no circumstances will the Seller be liable for any labor charged or travel time incurred in diagnosis for defects, removal, or re-installation - of this product or any other contingent expenses. Under no circumstances will the Seller be liable for any damage or expenses incurred by reason of the use or sale of any such equipment. In the event that the buyer does not agree with this agreement: the buyer may promptly return this product, in a new and unused condition in its original packaging, with a dated proof of purchase to the place of purchase within ten (10) days from date of purchase for a full refund. The installation of this product indicates that the buyer has read and understands this agreement and accepts its terms and conditions.



CONTENTS

- A: Bar and Plate style Transmission Cooler (1) with transmission cooler line fittings and clips (2) already installed.

Disassembly

Step 1 Vehicle off. Engine cool.

Step 2 Disconnect fog lights, remove grill, radiator cover, bumper and bracket.

Step 3 Remove clips and disconnect both driver and passenger transmission cooler lines.

Wrap using a rag or towel around the ends of the cooler lines to reduce trans fluid leaking during installation.



Step 4 Remove stock driver and passenger upper bolts.

Save for later reinstallation.



Step 5 Remove both clip nuts.

Save for later reinstallation.



Step 6 Remove both rubber cushions.

Save for later reinstallation



Step 7 Remove transmission line retaining clip from the back, passenger side stock transmission cooler bracket.

Save for later reinstallation.

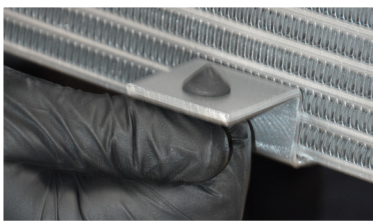


Installation

Step 8 Remove PPE fittings. Apply anti-seize to both. Install and tighten both to 80 inch lbs.



Step 9 Install both saved stock rubber cushions on driver and passenger side lower, rear Transmission Cooler brackets.



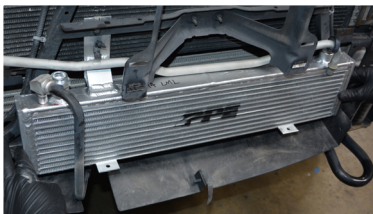
Step 10 Install saved stock clip nuts on the driver and passenger side Transmission Cooler brackets.



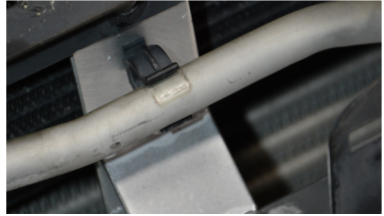
Step 11 Install saved transmission line stock retaining clip on the passenger side Transmission Cooler bracket.



Step 12 Install assembled Transmission Cooler. Position so that the stock rubber cushions and stock slip nuts line up with their mounting holes. Route transmission lines as shown. Install and tighten hardware to secure.



Step 13 Secure passenger side transmission line on reinstalled factory clip.



Step 14 Snap in transmission lines and slide black retaining clips onto transmission line fittings. Do this for both passenger and driver side.

Check to be sure connection is tight.



Step 15 Check fitment. Adjust as necessary.

Tighten all hardware.

Step 16 Fill with manufacturer-recommended transmission fluid.

Step 17 Start engine. Check for leaks.

Step 18 Reinstall bumper. Reconnect fog lamps. Reinstall radiator cover.

Step 20 Adjust transmission fluid level.

Installation complete.



5011 Brooks St. Montclair CA 91763
PPEdiesel.com
sales@ppediesel.com
Phone: (714) 985-4825