

# Installation Manual

## REAR LIFT BLOCK KIT

- |                           |   |
|---------------------------|---|
| <b>1.0" Rear Lift Kit</b> | 1995-2023 Toyota Tacoma (2WD/4WD)*+<br>1999-2021 Toyota Tundra (2WD/4WD)* |
| <b>2.0" Rear Lift Kit</b> | 1995-2023 Toyota Tacoma (2WD/4WD)*+<br>1999-2021 Toyota Tundra (2WD/4WD)* |

\*Will not fit Toyota Tacoma models with five-lug wheels

*Greatly improve your truck's weight distribution and improve vehicle control while towing and hauling heavy loads.*

**Thank you and congratulations on the purchase of a Rear Lift Block Kit. Please read the entire manual prior to starting the installation to ensure you can complete it once started.**

**KIT CONTENTS**

Please make sure all the items shown in the kit layout are provided in your kit before starting the installation.

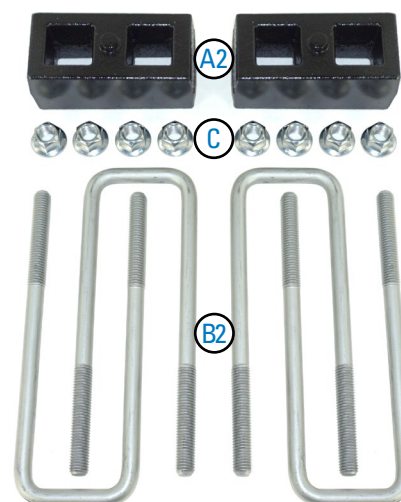
1.0" REAR LIFT KIT CONTENTS		QTY	PART #
<b>A1</b>	1.0" Lift Block	2	HP1855
<b>B1</b>	U-Bolt	4	HP1873-1
<b>C</b>	Nut, M14 Top Lock Flange	8	HP1872

**!** *PLEASE NOTE: Trucks equipped with a factory block will have less lift than the stated block height as the factory block is removed during the installation.*



3.0" REAR LIFT KIT CONTENTS		QTY	PART #
<b>A2</b>	2.0" Lift Block	2	HP1856
<b>B2</b>	U-Bolt	4	HP1873-2
<b>C</b>	Nut, M14 Top Lock Flange	8	HP1872

**!** *PLEASE NOTE: Trucks equipped with a factory block will have less lift than the stated block height as the factory block is removed during the installation.*

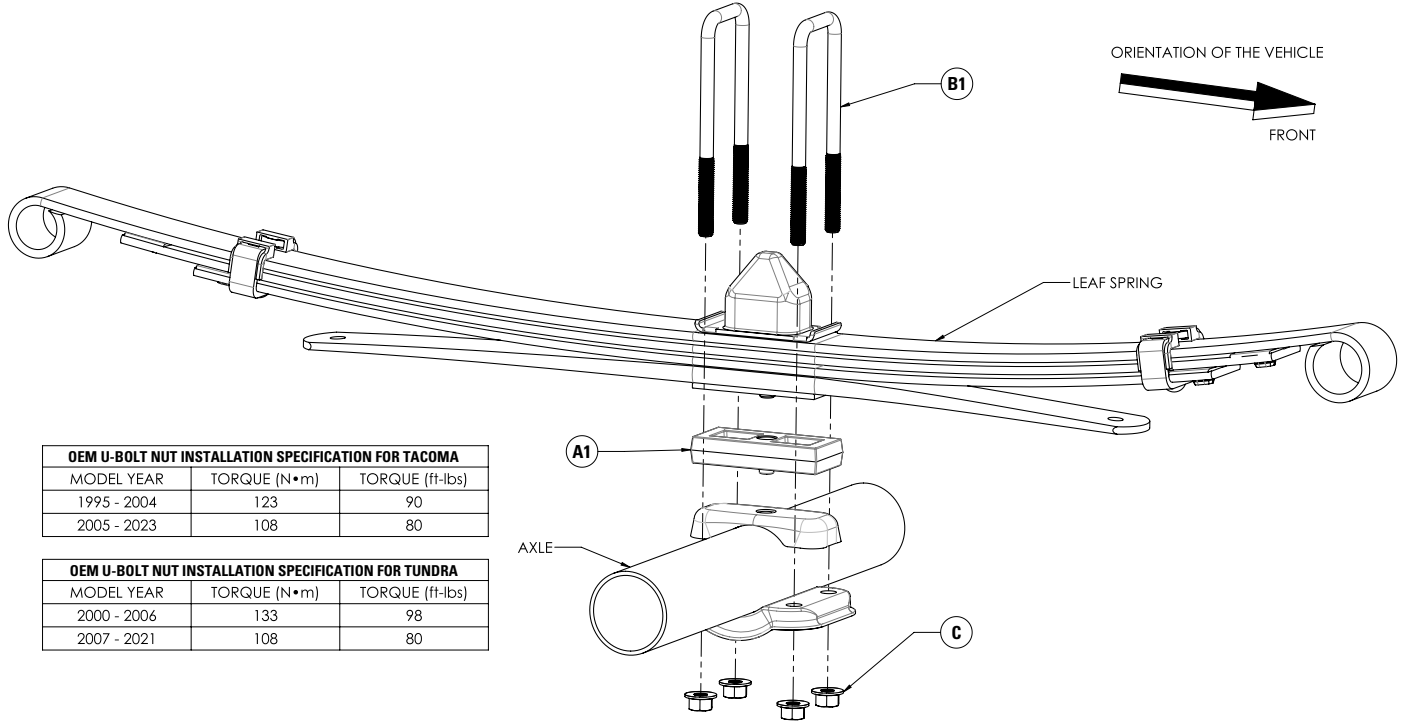


**REQUIRED TOOLS**

- Hoist or Floor Jack
- Safety Glasses
- 50-150 N•m Range Torque Wrenches
- Safety Stands
- Metric sockets & combination wrenches
- Ratchet

Please make sure all the items shown in this explosion diagram are provided in your kit before starting the installation.

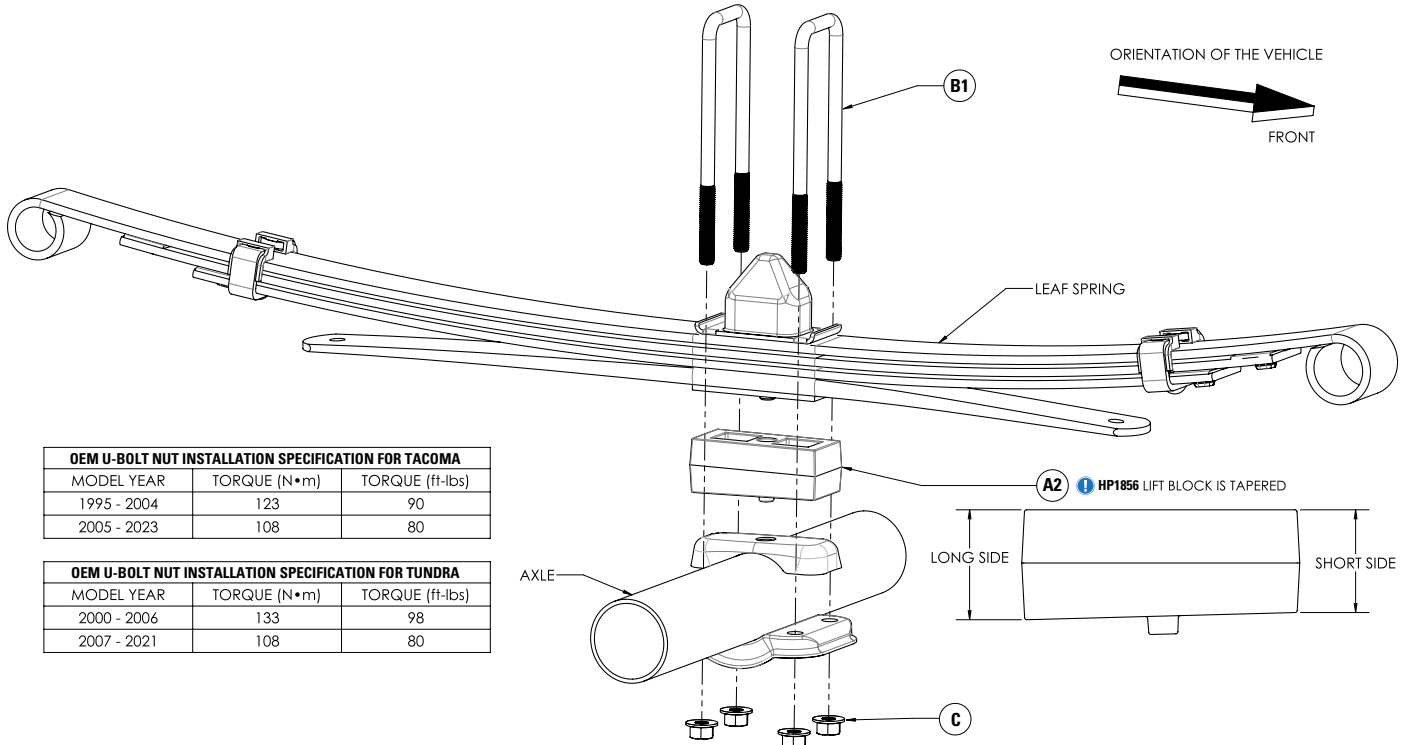
**DRIVER SIDE ASSEMBLY SHOWN FOR 1.0" REAR LIFT KIT:**



OEM U-BOLT NUT INSTALLATION SPECIFICATION FOR TACOMA		
MODEL YEAR	TORQUE (N•m)	TORQUE (ft-lbs)
1995 - 2004	123	90
2005 - 2023	108	80

OEM U-BOLT NUT INSTALLATION SPECIFICATION FOR TUNDRA		
MODEL YEAR	TORQUE (N•m)	TORQUE (ft-lbs)
2000 - 2006	133	98
2007 - 2021	108	80

**DRIVER SIDE ASSEMBLY SHOWN FOR 2.0" REAR LIFT KIT:**



OEM U-BOLT NUT INSTALLATION SPECIFICATION FOR TACOMA		
MODEL YEAR	TORQUE (N•m)	TORQUE (ft-lbs)
1995 - 2004	123	90
2005 - 2023	108	80

OEM U-BOLT NUT INSTALLATION SPECIFICATION FOR TUNDRA		
MODEL YEAR	TORQUE (N•m)	TORQUE (ft-lbs)
2000 - 2006	133	98
2007 - 2021	108	80

**BEFORE STARTING THE INSTALLATION:**

*Safety Warning!*

Altering the suspension system of your vehicle may cause it to handle differently than it did from the factory. Larger wheel and tire combinations may increase the leverage on the suspension and steering components. This changes the way your vehicle handles and responds to abrupt maneuvers. Operate your vehicle at reduced speeds in all conditions to prevent loss of control. Failure to do so may result in serious injury. It is not recommended to combine the use of suspension lifts, body lifts, or other lifting methods.

*Installation Warning!*

Use caution when disassembling and reassembling the vehicle. The proceeding instructions are guidelines only, the installer is responsible for ensuring that the vehicle is safe for use after performing the installation. It is recommended to use the factory service manual for the model/year of the vehicle when disassembling and assembling factory-related components.

Suspension components that use rubber or urethane bushings should be tightened with the vehicle at normal ride height. This will prevent premature wear or failure of the bushing. Prevent the suspension components from overextension by supporting them with a jack.

**WHEEL ALIGNMENT AND HEADLIGHT ADJUSTMENT**

It is necessary to have a proper and professional wheel alignment performed by a certified alignment technician to align the vehicle to factory specifications. After the installation is complete, check to ensure that the vehicle's headlights are aimed properly. If not, a headlight alignment is required.

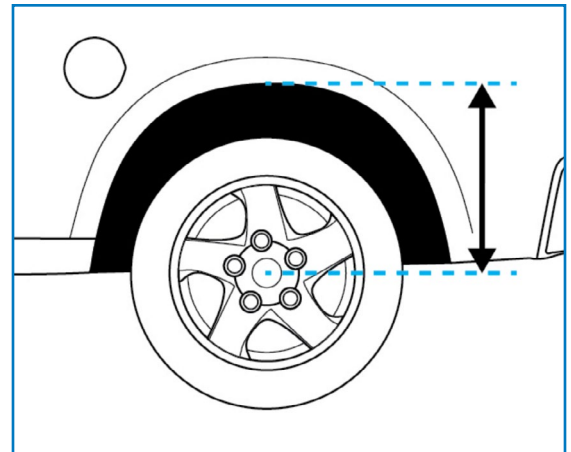


## 1 MEASURE STOCK RIDE HEIGHT

Park the vehicle on a level surface.

Using a measuring tape, measure the distance between the center of the wheel hub and the bottom of the fender well (shown in Figure 1). This will give you your ride height.

Note the ride height for all four corners.



1

## 2 RAISE VEHICLE

Place wheel chocks in front of and behind both front wheels.

Raise the rear of the truck high enough to allow full extension of the suspension.

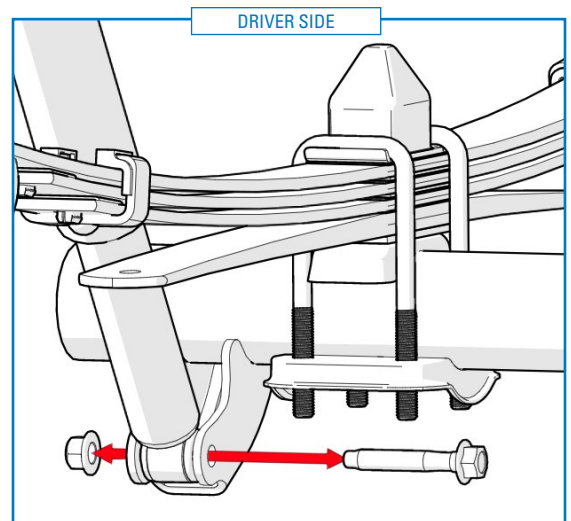
Place two jack stands under the frame and support the axle with a jack.

***COMPLETE THE BELOW INSTALLATION PROCESS ON ONE SIDE OF THE VEHICLE AT A TIME***

## 3 REMOVE THE LOWER SHOCK BOLT

Remove the nut and bolt securing the shock absorber to the axle (as shown in Figure 3).

Retain the nut and bolt for reuse later in the installation (Step 8).



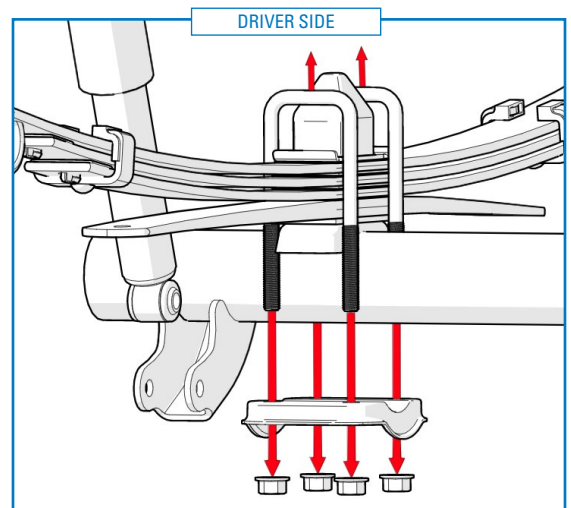
3

## 4 REMOVE THE AXLE U-BOLT PLATE

Remove the 4-leaf spring U-bolt nuts to remove the axle U-bolt plate from the axle (as shown in Figure 4).

Remove the leaf spring U-bolts.

Discard the factory U-bolts and nuts as they will not be reused.



4

## 5 LOWER AXLE

Lower the axle enough to allow space for the lift block to be placed between the leaf springs and the spring perch on the axle.

**Some Models Only:** Some models may have a factory block installed in the vehicle. Remove this block if equipped.

**⚠ WARNING:** Do NOT install a lift block on top of an OEM or other aftermarket lift block. Damage to the vehicle will occur.

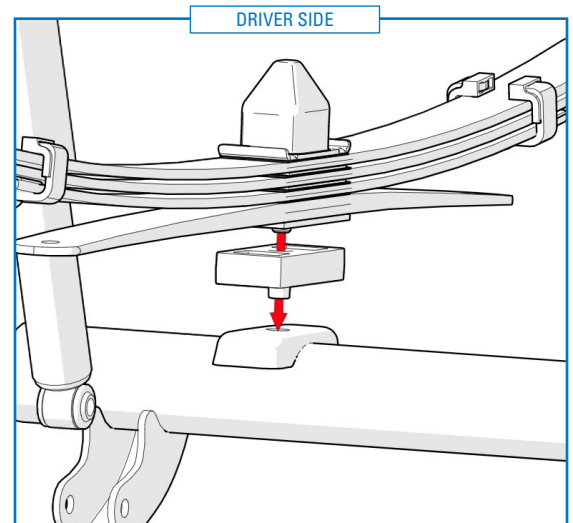
## 6 INSTALL LIFT BLOCK

Place the lift block on the leaf spring perch. Ensure the alignment pin on the block is seated in the hole on leaf spring perch (as shown in Figure 6A).

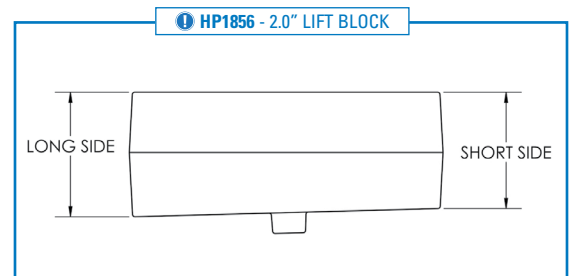
**ⓘ IMPORTANT:** 2.0" Lift Blocks (HP1856) are tapered (as shown in Figure 6B). Install the lift blocks with the **short side** towards the **front** of the vehicle.

Raise the axle until the block is flat against the bottom of the leaf spring. Ensure the alignment pins in the leaf spring are seated in the holes on the block\*.

**\*PLEASE NOTE:** The block pin must not touch the axle. If the alignment pin is too long in length or the alignment hole is not deep enough, it is recommended to either grind off some of the pin, or drill out some of the hole, so the block sits flush against the bottom of the leaf spring. There should be no gap between the blocks and the leaf spring.



6A



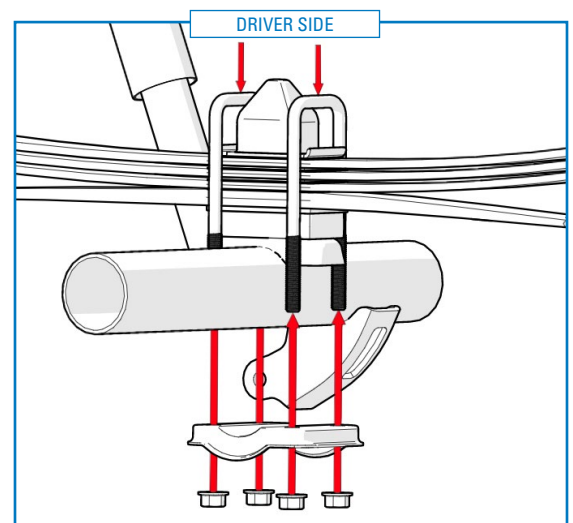
6B

## 7 INSTALL U-BOLTS

Place the provided U-bolts over the leaf springs onto the leaf spring retainer plate.

Place the axle U-bolt plate (as shown in Figure 7) and secure using the provided M14 flange nuts.

Tighten the nuts evenly until they are snug, but DO NOT fully torque at this stage.



7

## 8 RE-ATTACH THE LOWER SHOCK MOUNT

Re-install the lower shock mount using the previously removed hardware (from Step 3).

Do not torque hardware at this stage.

## 9 TORQUE HARDWARE

Lower the truck so it is resting on its tires at normal ride height.

Torque the lower shock mount bolt to 58 N•m [43 ft-lbs].

Torque the four M14 U-bolt nuts per the specifications of your vehicle's model year:

### TACOMA:

**1995 – 2004 MODELS:** Torque all nuts **evenly** to 123 N•m [90 ft-lbs]

**2005 – 2023 MODELS:** Torque all nuts **evenly** to 108 N•m [80 ft-lbs]

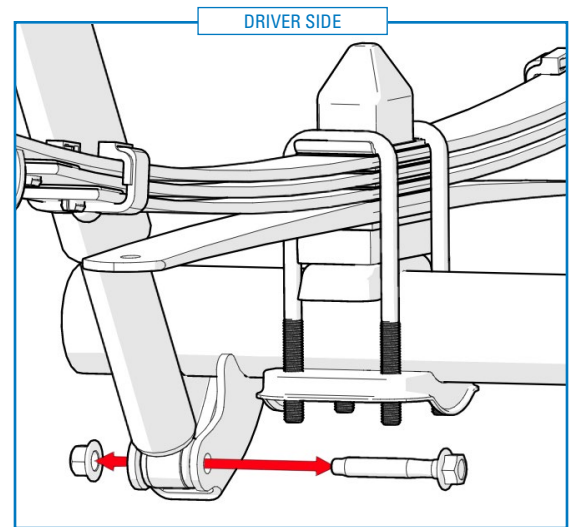
### TUNDRA:

**2000 – 2006 MODELS:** Torque all nuts **evenly** to 133 N•m [98 ft-lbs]

**2007 – 2021 MODELS:** Torque all nuts **evenly** to 108 N•m [80 ft-lbs]

***Congratulations!***

***You have completed the installation***



8

**POST INSTALLATION WARNING**

After the kit installation is complete and the vehicle is on the ground at its normal ride height, roll the vehicle backward and forward to settle the suspension. Tighten all components containing rubber bushings to the specified torque values. Verify adequate tire, wheel, brake line and ABS wire clearance by turning the front wheels completely to the left and then to the right. Ensure brake/ABS lines are not stretched when the suspension is at full droop. Test and inspect steering, brake and suspension components. Vehicle damage may result if the post installation checks are not performed.

**VEHICLE HANDLING WARNING**

Larger wheel and tire combinations may increase the leverage on the suspension and steering components. Increasing the height of your vehicle increases the likelihood of rollover or loss of control during abrupt maneuvers, especially at high speeds. Operate your vehicle at reduced speeds in all conditions to prevent loss of control. Failure to do so may result in serious injury.

**WHEEL ALIGNMENT & HEADLIGHT ADJUSTMENT**

After the kit installation is complete, a professional wheel alignment must be performed by a certified alignment technician to re-align the vehicle to within factory specifications. Additionally, ensure that the vehicles headlights are aimed properly. If not, a headlight alignment is required as well. If not properly aligned it can cause increased tire and suspension component wear.

**VEHICLE RE-TORQUE & SAFETY INSPECTION**

After the kit installation and adjustments have been completed and within 50 miles of driving, perform a check over of all applicable fasteners and hardware to ensure they are adequately tightened to the specifications given (or as noted in the vehicle’s factory service manual).

**WARRANTY**

To be eligible for warranty, the owner must submit their warranty card or register online within 30 days of the purchase date.

.....