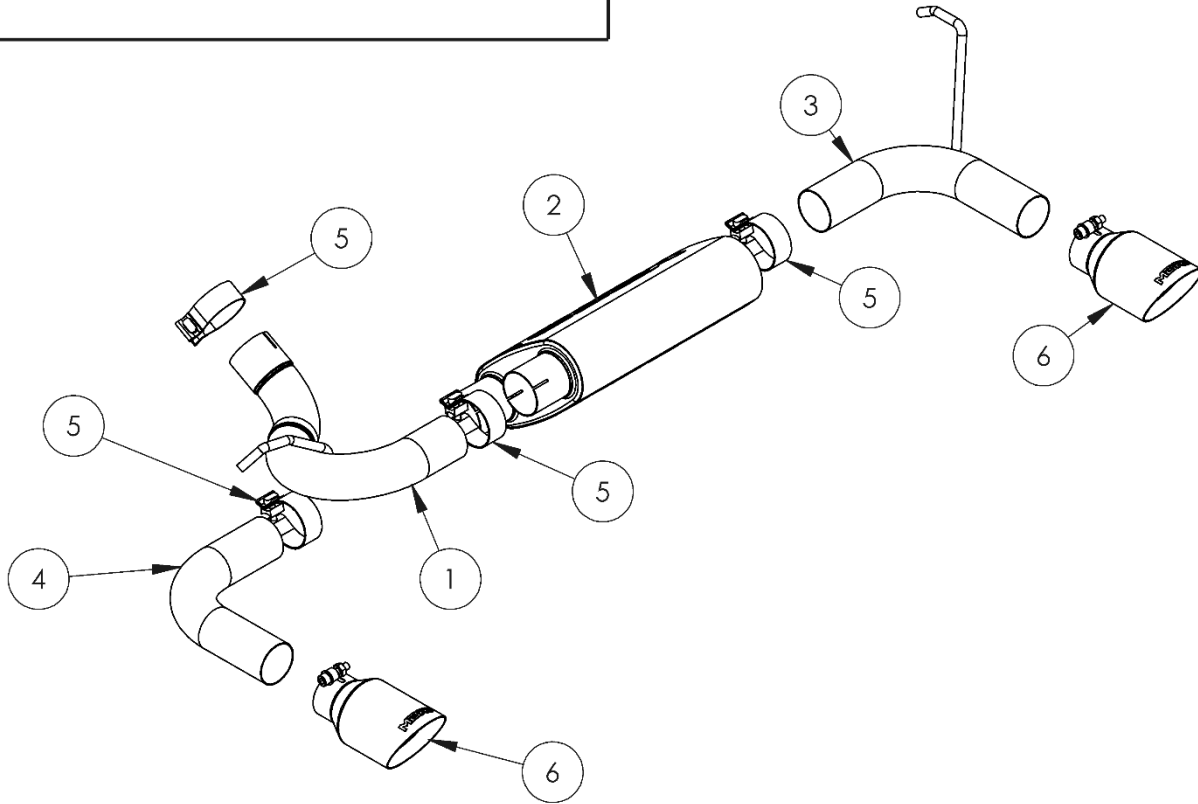


# S5528

2007-2017 JEEP WRANGLER/RUBICON,  
2018 JK ONLY, 3.6L/3.8L, AXLE BACK, 2.5"  
REAR EXIT DUALS

# MBRP®



ITEM	DESCRIPTION	QTY.
1	INLET PIPE	1
2	MUFFLER	1
3	PASSENGER SIDE TAIL PIPE	1
4	DRIVER SIDE TAIL PIPE	1
5	2.5" CLAMP	4
6	EXHAUST TIP	2

## PLEASE READ BEFORE STARTING INSTALLATION

While MBRP has made every effort to ensure that all components of this system are of superior quality and properly packaged, it is the installer's responsibility to ensure the following before removal of the factory exhaust:

- that ALL components shown above are present.
- that ALL mating components fit together.
- that there are no damaged components.
- that the system you have purchased is appropriate for your vehicle year, model and configuration.
- that the system will not interfere with any modifications previously installed or planned.
- that you have read and understand these instructions.

If you have any questions or are uncertain about any aspect of the installation of this system to your vehicle please contact your dealer before commencing installation.

# MBRP<sup>®</sup>

## Removal of Stock System



**Figure 1**



**Figure 2**



**Figure 3**



**Figure 4**



**Figure 5**

1. Apply a penetrating lubricant liberally to all exhaust fasteners, hangers and rubber insulators.

2. Start to remove the exhaust by loosening the clamp just before the muffler on the driver's side. **Refer to Figure 1.**

3. The muffler can be removed by removing the hangers from the rubber isolators, one on each side. **Refer to Figures 1&2.**

## Installation of MBRP Performance Exhaust

1. Slide a **2 ½" Clamp** over the **Inlet Pipe** and then loosely install it to the over axle pipe. Attach the **Inlet Pipe** hanger to the existing rubber isolator. **Refer to Figure 3.**

2. Slide a **2 ½" Clamp** onto **Muffler** and loosely attach it to the **Inlet Pipe**. **Refer to Figure 3.**

3. Slide a **2 ½" Clamp** over the **Passenger Side Tail Pipe** and install it onto the **Muffler**. Slide the **Passenger Side Tail Pipe** hanger into the existing the rubber insulator. **Refer to Figure 4.**

4. Slide a **2 ½" Clamp** over the **Driver Side Tail Pipe** and install it onto the **Muffler**. **Refer to Figure 5.**

# MBRP<sup>®</sup>



**Figure 6**

5. Install the **Exhaust Tips** onto the **Tail Pipes** check alignment and tighten.

6. Tighten all hardware and clamps, starting at the front and working rearward to secure the system. Check along the full length of the exhaust system to ensure there is adequate clearance for fuel lines, vent lines, brake lines, frame, bodywork, suspension and any wiring, etc. If there is any interference detected, relocate or adjust to provide adequate clearance. Ensure all clamp connections are secure and components are unable to rotate or slide. Band clamps require approximately 45 lb-ft (60 N-m) of torque. Verify clearances, system security and band clamp torque after 30- 60 miles (50-100 km) of driving.

**Congratulations!** You are ready to begin enjoying the improved performance and driving experience of your **MBRP** Performance Exhaust system. We hope you enjoy your purchase!