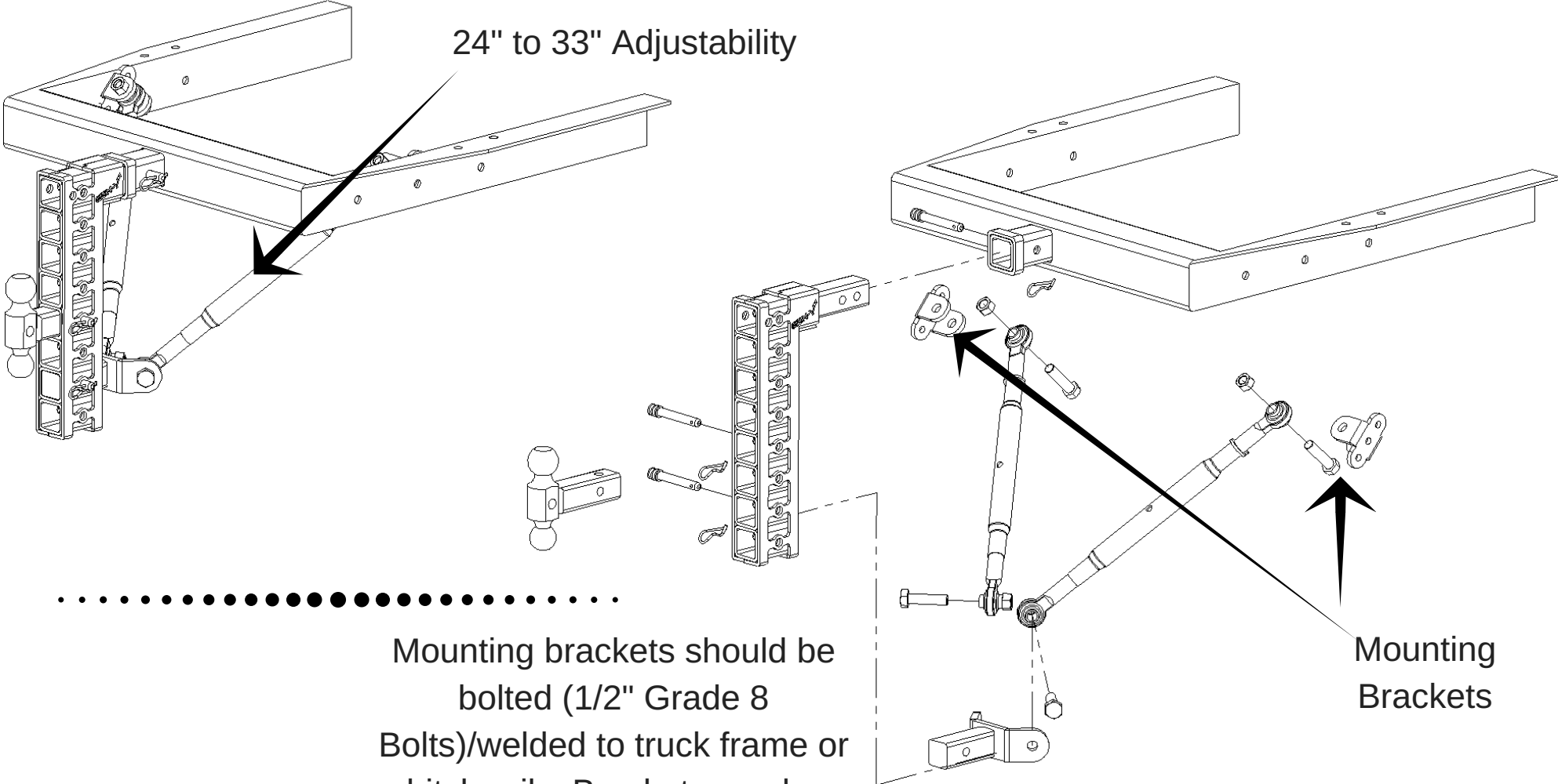




Adjustable stabilizer bar kit,
includes all mounting brackets &
hardware. Compatible with 2" or
2.5" GEN-Y Hitch. (Hitch is NOT
included)

Drop Hitch Stabilizer Kit- GH-0100

Users Guide



Mounting brackets should be
bolted (1/2" Grade 8
Bolts)/welded to truck frame or
hitch rails. Brackets can be
mounted on the side (as pictured)
or on bottom rail.