



# Fuel Filtration

93 mm / 3.66" Filter Diameter



FUEL FILTRATION

## 93 mm Spin-on Filter Assembly

### Max Flow Rate

Primary: 400 lph / 100 gph  
Secondary: 450 lph / 120 gph  
*See filter chart for flow rates*

### Operating Pressure

210 kPa / 0-30 psi with bowl  
690 kPa / 0-100 psi without bowl

### Temperature Range

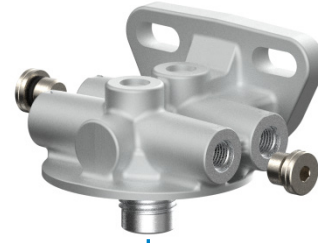
-40 °C to 121 °C / -40 °F to 250 °F

### Fuel Compatibility

#1 or #2 Diesel, Kerosene,  
Biodiesel up to B20 and JP8



Priming Pump Head\*  
M12 x 1.5 Ports  
**PART NO. P576612**  
M14 x 1.5 Ports  
**PART NO. P576614**



Basic Head\*  
M12 x 1.5 Ports  
**PART NO. P576712**  
M14 x 1.5 Ports  
**PART NO. P576714**



**PRIMARY**  
Spin-on Fuel Filter  
Water Separator



**SECONDARY**  
Spin-on  
Fuel Filter

*\*Optional*  
Filter indicators and switches available



*Optional*  
Clear Water  
Collection Bowl  
**PART NO. P569758**



Water in Fuel Sensor & Display Kit  
**PART NO. X220112**  
*Lead times may apply*

Standard  
Twist&Drain™ Valve  
**PART NO. P571330**

Twist&Drain™ Valve  
1/2"-20 UNF  
Threaded Sensor Port  
**PART NO. P550865**

Twist&Drain™ Valve with  
Passive Water-in-Fuel  
Sensor

Packard Terminal  
**PART NO. P570618**

Deutsch Terminal  
**PART NO. P570619**

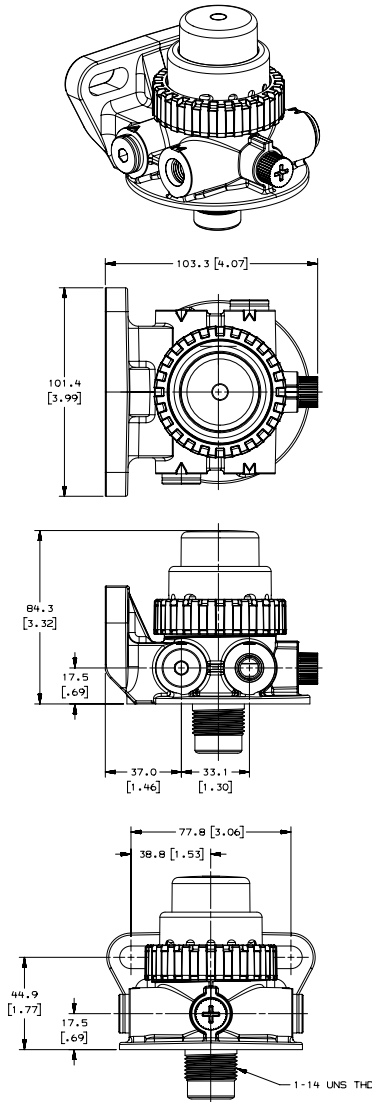
Twist&Drain™ Valve with  
Digital Water-in-Fuel Sensor  
Tyco/AMP Terminal  
**PART NO. P572227**

Deutsch Terminal  
**PART NO. P570349**



## Specification Illustrations

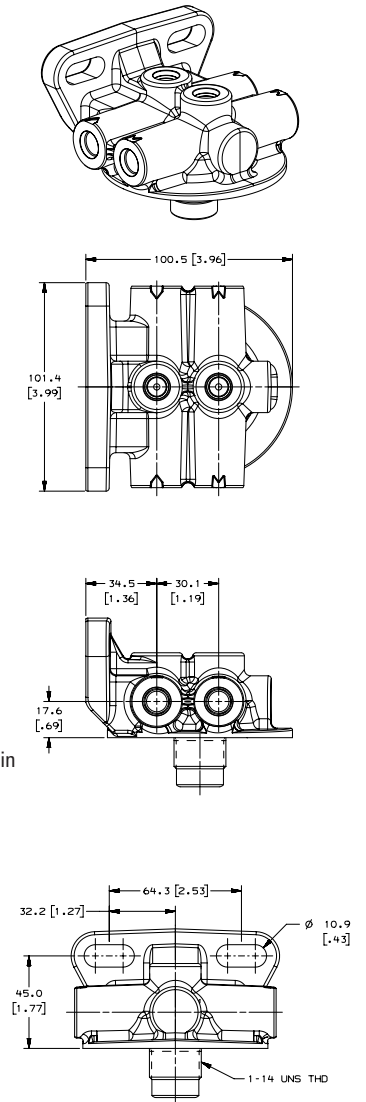
PRIMING PUMP HEAD \* †



M12 x 1.5 Ports  
**PART NO. P576612**

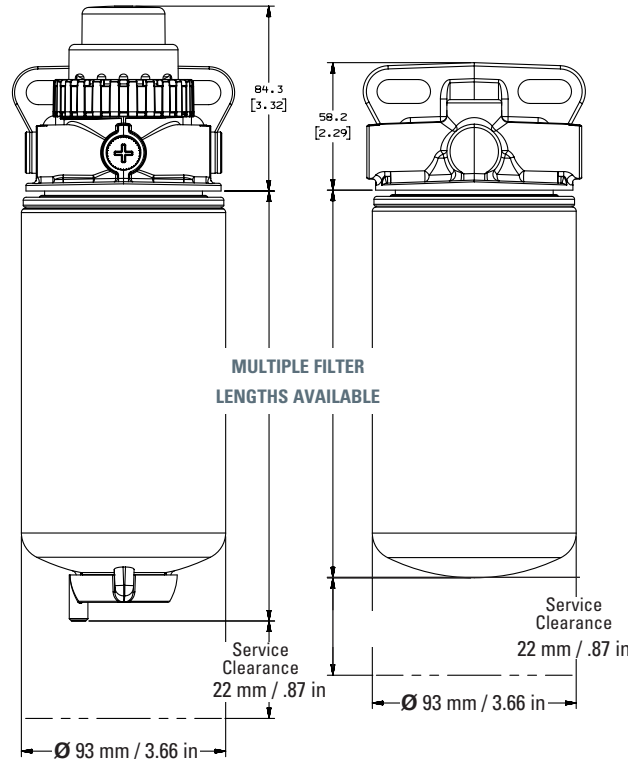
M14 x 1.5 Ports  
**PART NO. P576614**

BASIC HEAD \* †



M12 x 1.5 Ports  
**PART NO. P576712**

M14 x 1.5 Ports  
**PART NO. P576714**



### NOTES

- \* Optional filter indicators and switches available.
  - † Heads include two plugs for use in either the inlet or outlet port positions.
- Contact your Donaldson sales representative for more details.





# Fuel Filtration

## 93 mm / 3.66" Filter Diameter



### Filter Selection Chart


Filter Style	Maximum Recommended Flow Rate		Filter Length*		Media Type	Efficiency @ 99% per ISO 19438	Part Number
	lph	gph	mm	in			
<b>Primary</b>							
Standard Drain 	227	60	155.2	6.11	Cellulose	4 µm	P581681†
					Cellulose	10 µm	P581682†
	265	70	194.1	7.64	Cellulose	4 µm	P553203
					Synteq Synthetic	10 µm	P550847
					Cellulose	4 µm	P553207
	340	90	219.3	8.63	Synteq Synthetic	10 µm	P553201
Cellulose					35 µm	P553204	
400	105	252.0	9.92	Synteq Synthetic	10 µm	P551000	
<b>Secondary</b>							
No Drain 	303	80	174	6.85	Cellulose	9 µm	P557440‡
					Cellulose	25 µm	P553854‡
	379	100	200	7.87	Cellulose	9 µm	P555627‡



\* Water Collection Bowl (part no. P569758) adds 50 mm / 1.98 in. to filter length.

† Lead times may apply. Please contact your Donaldson sales representative for lead time details.

‡ For use on non-high pressure common rail fuel systems only. For Tier 4 applications, contact your Donaldson sales representative.

Filter Style	Maximum Recommended Flow Rate		Filter Length		Media Type	Efficiency @ 99.9% per ISO 19438	Part Number
	lph	gph	mm	in			
<b>Secondary</b>							
	340	90	174.0	6.85	Cellulose	5 µm	P551313
					Synteq XP Synthetic	4 µm	DBF5814
	450	120	232.8	9.17	Cellulose	5 µm	P551311
					Synteq XP Synthetic	4 µm	DBF5817





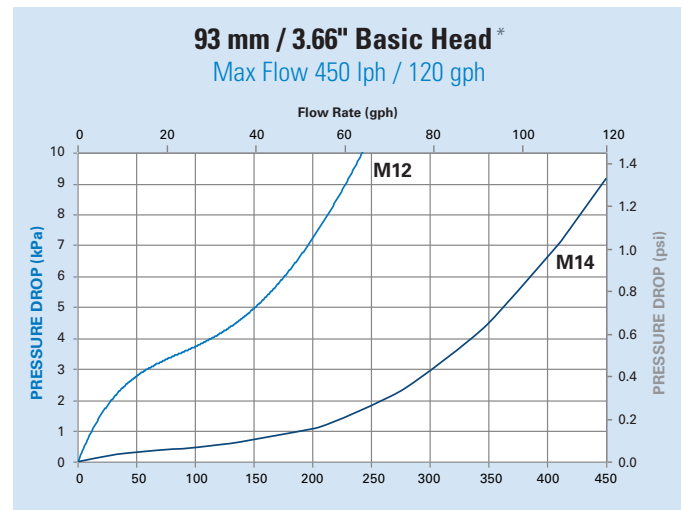
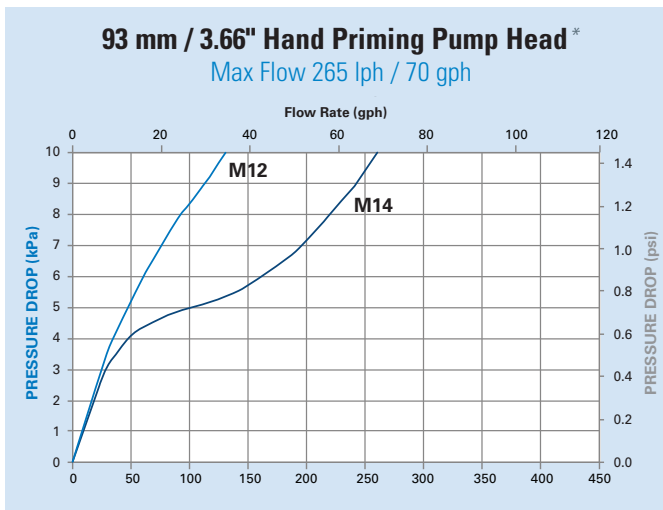
## Restriction Indicators

Type / Material	Setting	Thread	Part Number
<b>Visual / Mechanical Indicator</b>			
Electric Plated Nickel Steel Thread / Chemical Resistant Nylon	10 inHg	M12x1.5 Male	X220052
	8.5 inHg	M14x1.5 Male	JM56501-00585*
<b>Electrical Switch</b>			
Zinc Nickel Plated Steel Thread	10 inHg	M12x1.5 Male	X220057
		M14x1.5 Male	JM56389-00610*
<b>Wire Harness Adaptor</b>			
Packard for Switches / Flying Leads	N/A	N/A	P633875

For installation on suction side of head assembly in suction applications

\* Lead times apply. Please contact your Donaldson sales representative for lead time details.

## Performance Curves



\* Filter elements add an additional 1-2 kPa (0.14 - 0.29 psi) restriction to filter assembly at the max recommended flow rate.

## Water in Fuel Sensor & Dashboard Display Kit

WIF and Display Kit	Part Number
	X220112*

This kit contains a WIF sensor drain valve with electrical plug, wiring loom and a dash mount LED display.

- Detects separated water in both filter and water collection bowl
- Adjustable LED display brightness
- Automatically resets display after water is drained
- Can be used with any Donaldson Twist&Drain™ style fuel filter

\* Lead times may apply. Please contact your Donaldson sales representative for lead time details.