






**DOWNLOAD COLOR
INSTALL MANUALS AT
www.bddiesel.com**






Ford 6.0L / 6.4L / 6.7L Powerstroke Flexplate

| | |
|----------------|-----------------------|
| 1041240 | Ford 6.4L Powerstroke |
| 1041242 | Ford 6.0L Powerstroke |
| 1041245 | Ford 6.7L Powerstroke |




1041240 Kit Contents

| 1401240 | 1401243 | FT-0606434 |
|---|---|---|
|  |  |  |
| Ford 6.4L Flexplate Qty: 1 | Ford Flexplate Washer Qty: 1 | Blue Threadlocker Qty: 1 |

1041242 Kit Contents

| 1401242 | 1401243 | FT-0606434 |
|--|---|--|
|  |  |  |
| Ford 6.0L Flexplate Qty: 1 | Ford Flexplate Washer Qty: 1 | Blue Threadlocker Qty: 1 |

1041245 Kit Contents

| 1401245 | 1401244 | FT-0606434 |
|---|---|---|
|  |  |  |
| Ford 6.7L Flexplate Qty: 1 | Ford Flexplate Washer Qty: 1 | Blue Threadlocker Qty: 1 |

Introduction

BD Diesel Performance Ford Flexplates were designed to withstand the high torque produced from modified Powerstroke engines. Fully billet machined and black oxide coated for good looks and performance.

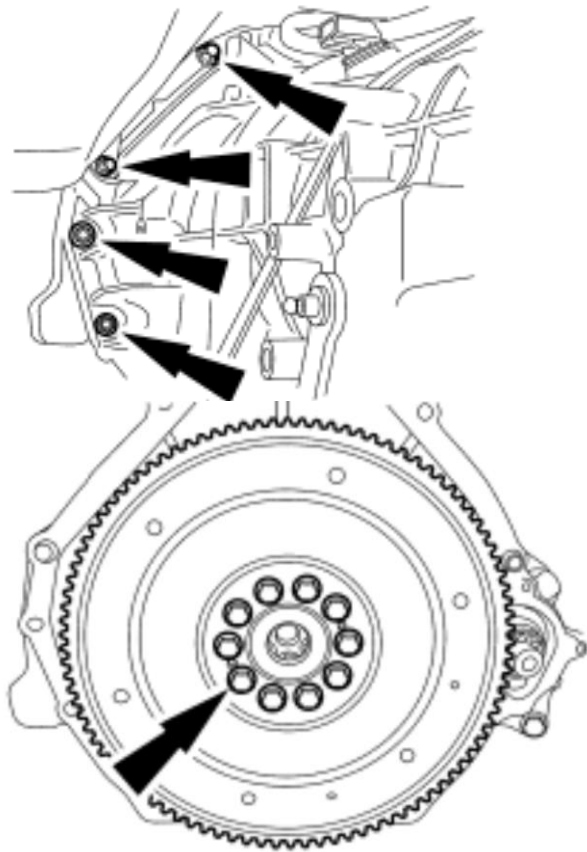
- Over two times stronger than OEM
- Black oxide coating does not cause hydrogen embrittlement like zinc plating
- Counterweight machined into flexplate, **NO** weld on weights.
- Heat treated ring gear to withstand torque required to start modern diesel engines

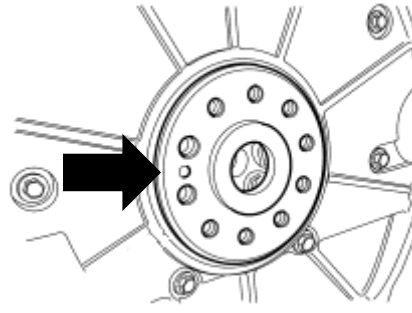
Installation



Disconnect both batteries, and secure vehicle before installation for safety.

Remove transmission, and factory flexplate from the truck.

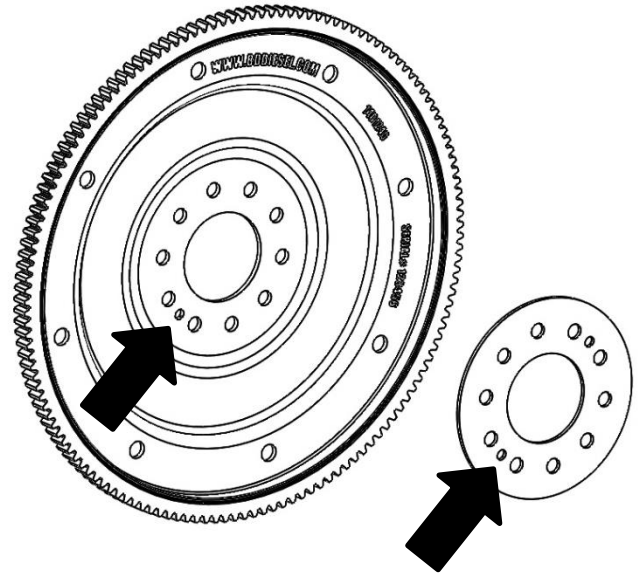




Install BD Diesel flexplate onto the crankshaft, followed by the washer.



NOTE: Ensure crankshaft dowel is fitting into the locating hole on the flexplate, and washer (see arrows)



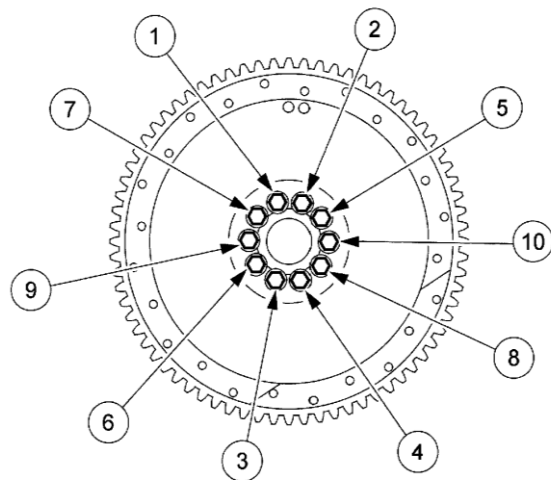
Re-install crankshaft bolts. Tighten in a two stage sequence following the order outlined in the below steps and images.

6.0L Powerstroke engines:

Kit Part No: **1041242**

Torque to the below spec following the sequence in the image to the right.

- 1. Torque to **4 ft-lbs**
- 2. Torque to **69 ft-lbs**

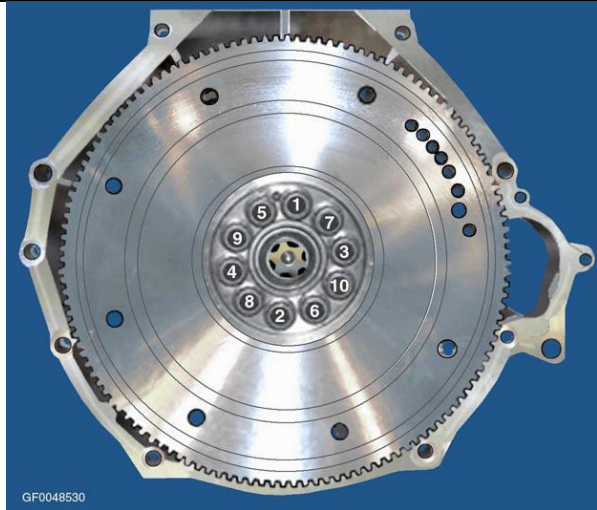


6.4L Powerstroke engines:

Kit Part No: **1041240**

Torque to the below spec following the sequence in the image to the right.

1. Torque to **4 ft-lbs**
2. Torque to **69 ft-lbs**



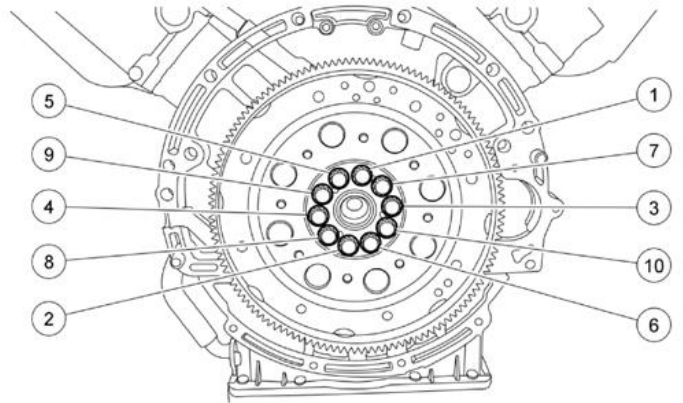
GF0048530

6.7L Powerstroke engines:

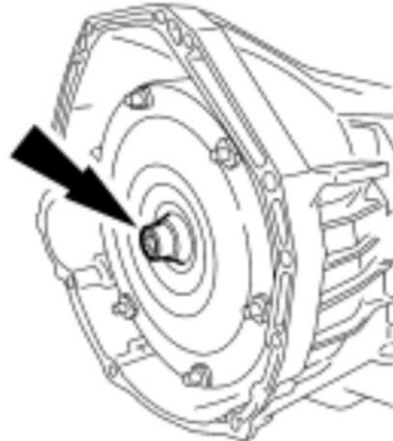
Kit Part No: **1041245**

Torque to the below spec following the sequence in the image to the right.

1. Torque to 4 ft-lbs
2. Final torque to 74 ft-lbs



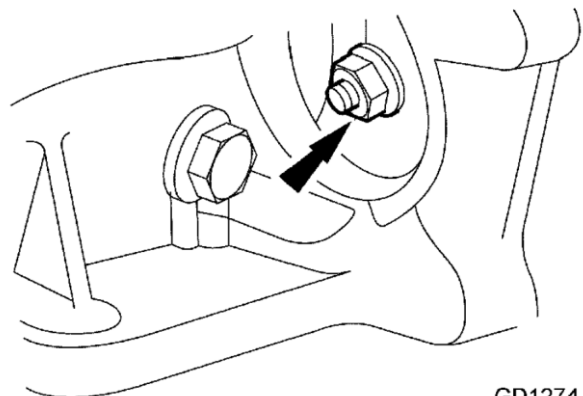
Lubricate the torque converter hub with multi-purpose grease, and re-install the transmission.



Install and torque flexplate nuts to the below specification:

Torque Converter Nuts: **35 ft-lbs**

NOTE: Do not over-torque these fasteners!



GD1274-A