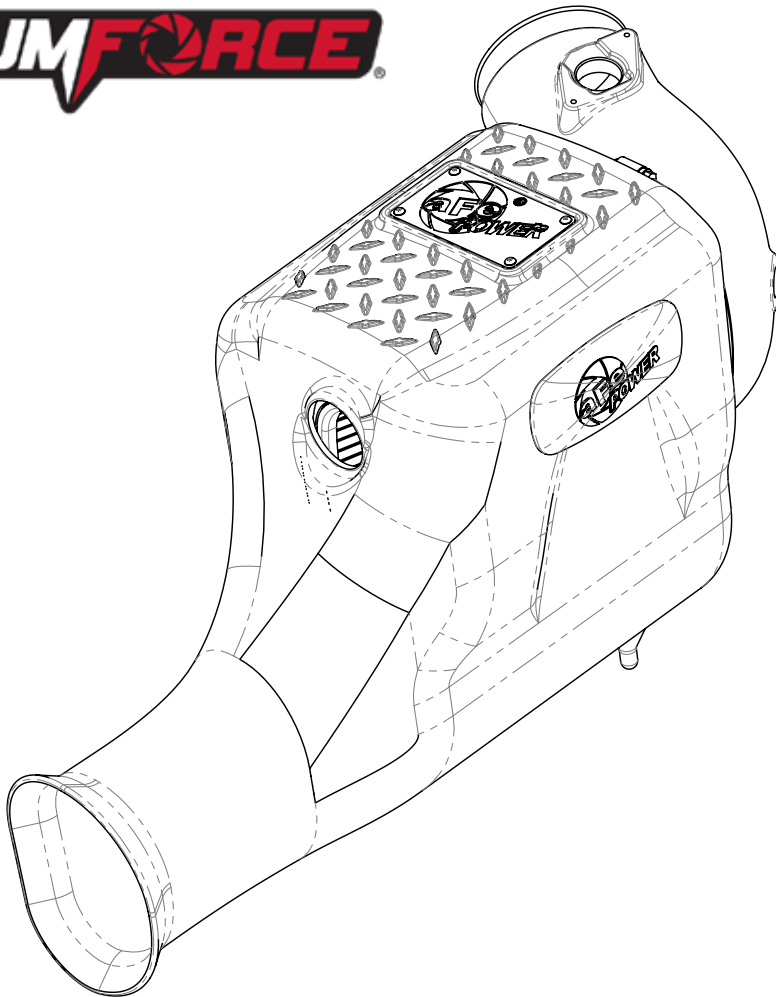


MAGNUM FORCE



advanced FLOW engineering Magnum FORCE Stage-2 Si Intake System

Instruction Manual P/N: 54-81022-1

Make: **Ford** Model: **F-250/F-350/F-450/F-550** Year: **2003-2007** Engine: **V8-6.0L (td)**



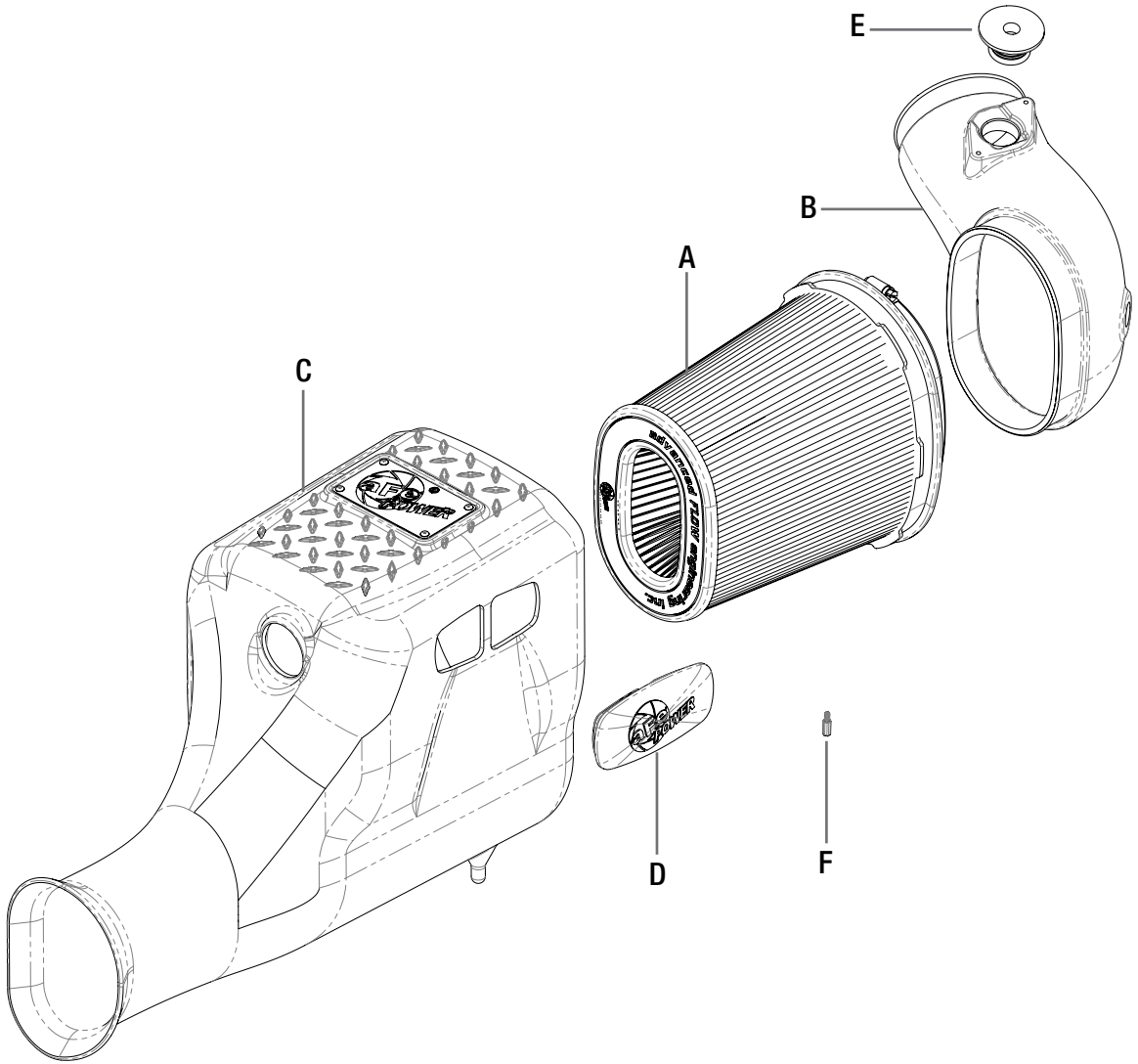
- Please read the entire instruction manual before proceeding.
- Ensure all components listed are present.
- If you are missing any of the components, call customer support at 951-493-7100.
- Ensure you have all necessary tools before proceeding.
- Do not attempt to work on your vehicle when the engine is hot.
- Disconnect the negative battery terminal before proceeding.
- Retain factory parts for future use.

Label	Qty.	Description	Part Number
A	1	Air Filter (Pro 5R)	24-91143
B	1	Tube	05-73003B1
C	1	Housing	05-81022B2
D	1	Plug	05-01429
E	1	Plug, Temp. Sensor	05-01228
F	1	Torx Bit: T20	03-50066

Installation will require the following tools:

8mm nut driver, Torx (T20) driver, and pliers.

Note: Legal in California for use on race vehicles only. The use of this device on vehicles used on public streets or highways is strictly prohibited in California and others states that have adopted California emission regulations.



**Figure A****Refer to Figure A for Steps 1-2**

Step 1: Remove the (2) hoses shown in the picture by compressing the spring clamps and pulling the hoses off. ①

Step 2: The coolant hose can be tucked out of the way so that it does not leak.

NOTE: Make sure the vehicle is cool before removing the coolant line. If the temperature is low enough so that the reservoir cap can be safely removed, then the coolant line can be safely removed as well.



Figure B

Refer to Figure B for Steps 3-5

Step 3: Disconnect the MAF sensor plug. ②

Step 4: Remove the filter minder from the rubber grommet factory intake tube. ③

Step 5: Loosen the clamp at the intake tube. ④



REMOVAL

Figure C

Refer to Figure C for Step 6

Step 6: Pull straight up to remove the OE intake.



Figure D

Refer to Figure D for Steps 7-8

Step 7: Remove the OE grommet from the factory intake tube. ⑤

Step 8: Carefully remove the MAF sensor from the factory intake tube using the provided T20 Torx bit and a bit driver.

NOTE: Some models years are equipped with a temp. sensor instead of a MAF sensor, and this intake was designed to work with both sensor types.

**Figure E****Refer to Figure E for Steps 9-10**

Step 9: Reinstall the rubber grommet into the new aFe intake tube as shown.

Step 10: Install the MAF sensor using the factory screws and the T20 Torx bit and driver.

NOTE: If your vehicle is equipped with a temp sensor instead of a MAF sensor, then you will need to install the Temp Sensor Adaptor (05-01228). Insert the temp sensor into the temp sensor adaptor.



Figure F

Refer to Figure F for Step 11

Step 11: Position the intake tube into the vehicle so that it is tucked under the coolant reservoir. This will provide room to install the intake housing in a future step.



Figure G

Refer to Figure G for Step 12

Step 12: Insert the air filter into the aFe housing and make sure the clamp is loosely installed as shown.



Figure H

Refer to Figure H for Step 13

Step 13: Install the intake housing into the vehicle and make sure the front of the housing passes through the panel on the core support as shown. ⑥

**Figure I****Refer to Figure I for Steps 14-15**

Step 14: After the housing is secured, install the aFe intake tube into the factory coupler and then into the aFe air filter.

Step 15: Insert the filter minder into the rubber grommet.



Figure J

Refer to Figure J for Steps 16-19

Step 16: Tighten both hose clamps on the intake tube.

Step 17: With the spring clamp removed, insert the rubber hose into the front of the intake housing.

Step 18: Connect the MAF sensor harness.

Step 19: Reconnect the coolant hose and make sure the spring clamp is secured properly.



INSTALL

Figure K

Refer to Figure K for Steps 20-21

Step 20: If desired, there is a plug included to block any hot engine heat that may be a concern. In cold weather, it is recommended that the plug is removed to help the engine warm up quickly and maintain optimal operating temperatures.

Step 21: Make sure all clamps and connections are secured. Your installation is now complete!

NOTE: Retighten all connections after approximately 100-200 miles.

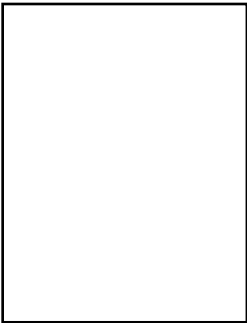
PAGE LEFT BLANK INTENTIONALLY

PAGE LEFT BLANK INTENTIONALLY

PAGE LEFT BLANK INTENTIONALLY

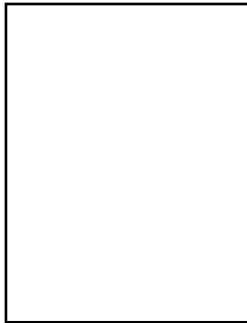


Pro DRY S Air Filter



P/N: 21-91143

Pro 5R Air Filter



P/N: 24-91143

Pro-GUARD 7 Air Filter



P/N: 72-91143

Pro DRY S Restore Kit



P/N: 90-59999

Blue Squeeze Restore Kit



P/N: 90-50501

Gold Squeeze Restore Kit



P/N: 90-50500

Transmission Pan Cover



P/N: 46-70122 (Blk)
46-70120 (RAW)

Rear Differential Cover



P/N: 46-70022-WL (w/ Oil)
46-70022 (Blk)
46-70020 (RAW)

Intercooler w/ Tubes



P/N: 46-20102

SCORCHER HD Module



P/N: 77-43012

Oil Cooler



P/N: 46-80001

Exhaust System



P/N: 49-43077-P (Pol)
49-43077-B (Blk)

To purchase any of the items above, view airflow charts, dyno graphs, photos, and video; please go to aFepower.com.

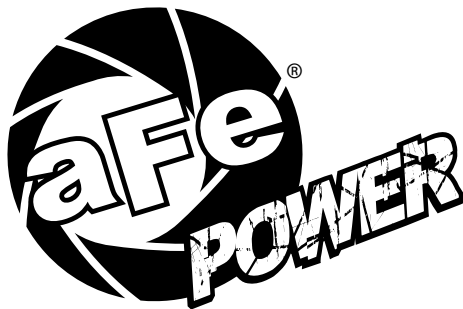
Warranty

General Terms:

- aFe warrants their products to be free from manufacturer's defects due to workmanship and material.
- This warranty applies only to the original purchaser of the product and is nontransferable.
- Proof of purchase of the aFe product is required for all warranty claims.
- Warranty is valid provided aFe instructions for installation and/or cleaning were properly followed.
- Proper maintenance with regular inspections of product is required to insure warranty coverage.
- Damage due to improper installation, abuse, unauthorized repair or alteration is not warranted.
- Incidental or consequential damages or cost, including installation and removal of part, incurred due to failure of aFe product is not covered under this warranty.
- All warranty is limited to the repair and/or replacement of the aFe part. To request Return Goods Authorization ("RGA"), email RGA@afepower.com or call (951)493-7100. Upon receipt of the RGA, you must return the product to the address provided in the RGA, freight prepaid and accompanied with a dated proof of purchase and the RGA. Upon receipt of the defective product and upon verification of proof of purchase, aFe will either repair or replace the defective product within a reasonable time, not to exceed thirty days.

Product Category	P/N Prefix	Warranty duration
Direct OE Replacement Filters	10, 11, 30, 31, 71, 73	Life of the vehicle
Racing Filters	18	1 year
Universal	21, 23, 24, 72	2 years
Air Intake Systems	50, 51, 53, 54, 55, 75	2 years
Exhaust Systems	49	2 years
Intercoolers & Intercooler Tubes	46-2	2 years
Intake Manifolds	46-1	2 years
Differential Cover	46-7	Life of the vehicle
Exhaust Manifolds	46	2 years
Throttle Body Spacers	46-3	2 years
Fluid Filters	44	90 days
Pre-Filters	28	2 years
Heavy Duty OE Replacement	70	2 years
PowerSports OE Replacement	81, 87	2 years
PowerSports Intake Systems	85	2 years

No other warranty expressed or implied applies nor is any person or advanced FLOW engineering authorized to assume any other warranty. Some States do not allow the exclusion or limitation of incidental or consequential damages or do not allow limitations on how long an implied warranty lasts, so the above limitations or exclusions may not apply to you. This warranty gives you specific legal rights, and you may also have other rights which vary from State to State.



advanced FLOW engineering, inc.
252 Granite Street Corona, CA 92879
TEL: 951.493.7100 • TECH: 951.493.7134
E-Mail: Tech@aFepower.com