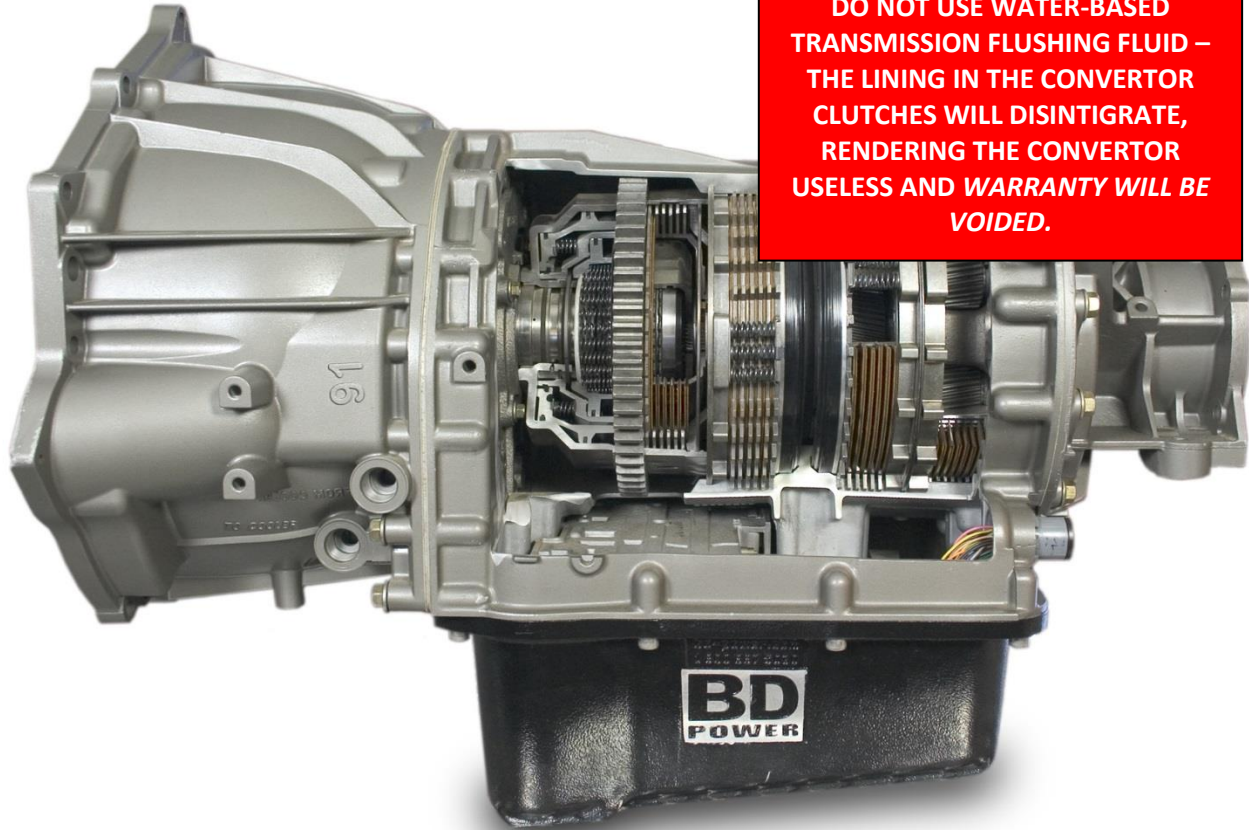




**DOWNLOAD COLOR
INSTALL MANUALS AT
www.dieselperformance.com**



**DO NOT USE WATER-BASED
TRANSMISSION FLUSHING FLUID –
THE LINING IN THE CONVERTOR
CLUTCHES WILL DISINTEGRATE,
RENDERING THE CONVERTOR
USELESS AND WARRANTY WILL BE
VOIDED.**

BD Performance Transmission

Allison 1000

Installation Instructions

1064754	2011-2016 LML Duramax
----------------	------------------------------

PLEASE READ ALL INSTRUCTIONS BEFORE INSTALLATION



CONTENTS

SPECIALTY TOOLS.....2

INTRODUCTION2

MAINTENANCE.....3

REMOVAL.....3

INSTALLATION.....9

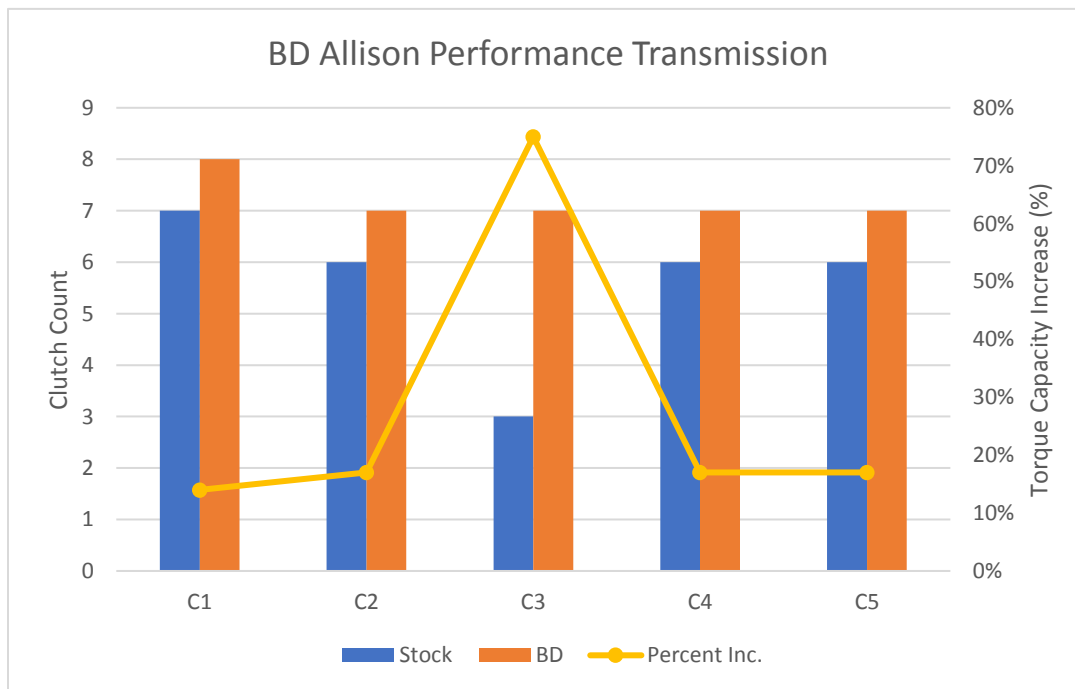
SPECIAL NOTES.....14

SPECIALTY TOOLS

- GM tool #J 21366 Converter Holding Strap
- GM tool # J 44257 Connector Removal Tool

INTRODUCTION

The BD Allison transmission offers significant performance increase over the stock transmission. Using custom machined components, we have dramatically increased the holding power of the Allison 1000.



The main failure in Allison Transmissions is the C3 clutch, in which BD has increased the clutch count by 4, increasing the torque capacity by 75%. The chart above shows the increase and improvements in each of the clutch packs in the BD Allison Transmission over the stock.

MAINTENANCE

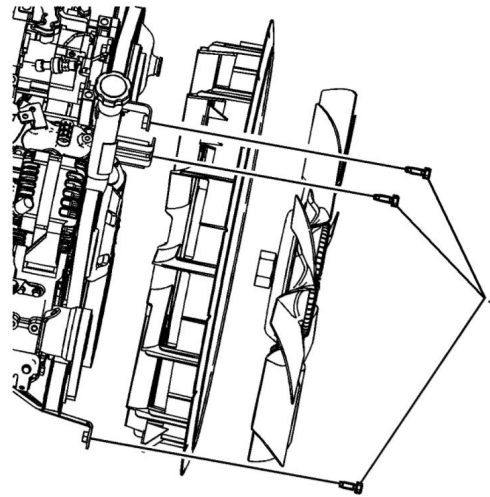
BD recommends the first transmission oil and filter change to occur at the 3 month or 5000miles/8000km interval. This quick interval will not only give you piece of mind, but will also rid the transmission of any prior debris. After this OE service intervals are acceptable.

REMOVAL

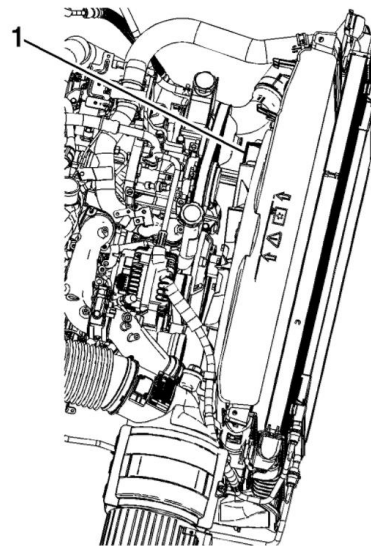


VEHICLE SHOULD BE SAFELY SECURED BEFORE INSTALLATION.

1. Disconnect both negative battery terminals.
2. Remove the upper fan shroud.
3. Remove the 3 engine cooling fan shroud bolts.



4. Position the engine cooling fan shroud forward to the radiator.
5. Remove the transmission fluid level indicator.
6. Remove the starter motor.



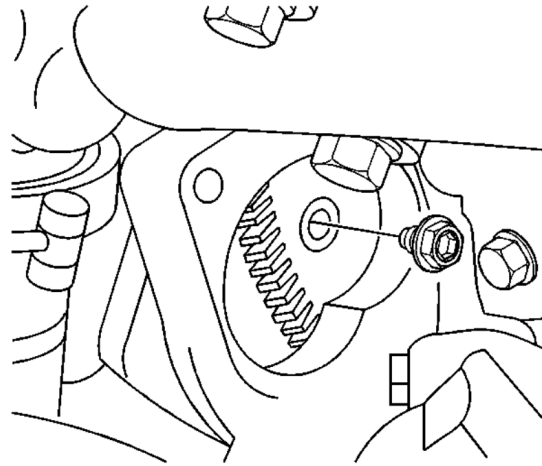
BD ENGINE BRAKE, INC.

Plant Address: 33541 MacLure Rd, Abbotsford, BC, Canada V2S 7W2

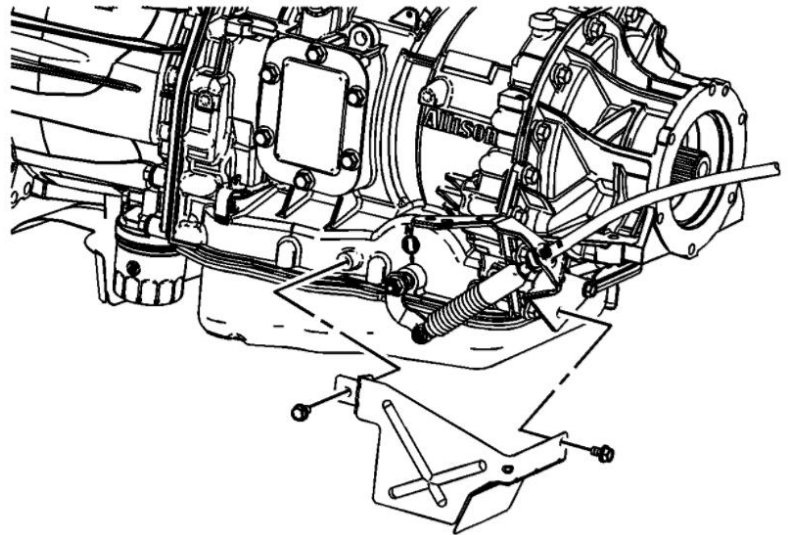
US Shipping Address: 88-446 Harrison St, Sumas, WA 98295 | US Mailing Address: PO Box 231, Sumas, WA 98295

Phone: 1-800-887-5030 | Fax: 604-853-8749 | Internet: www.dieselpower.com

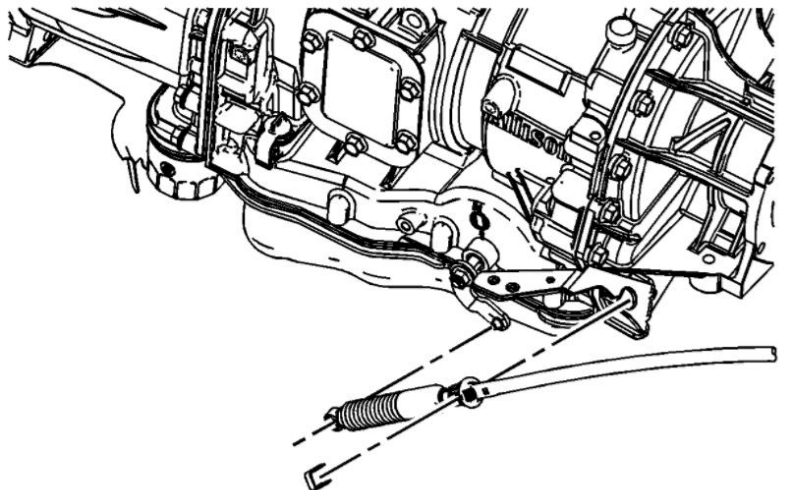
7. Rotate the engine clockwise, using the crankshaft bolt in order to access the torque convertor bolts through the starter opening.
8. Remove the torque convertor bolts.
9. Drain the transmission fluids.



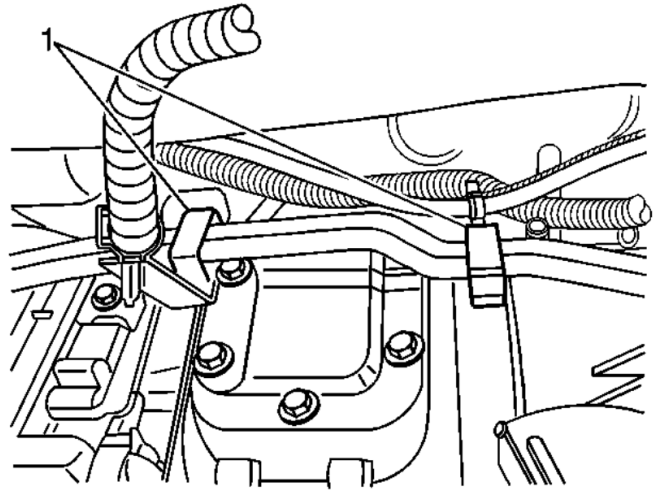
10. Remove the range selector cable heat shield bolts.
11. Remove the range selector cable heat shield.



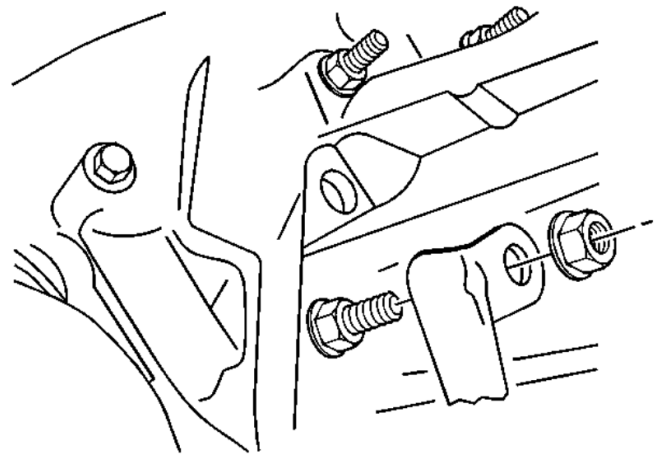
12. Remove the range selector cable end from the transmission range selector lever stud.
13. Disconnect the shift cable and lines from the rear bracket on the transmission.
14. Position the bracket with the cable attached out of the way.



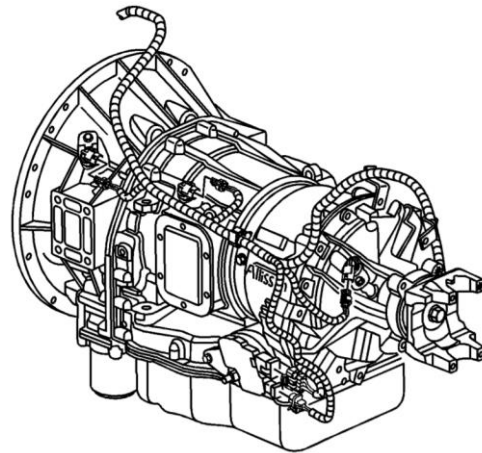
15. Remove the fuel line retainer bolts on the left side of the transmission.



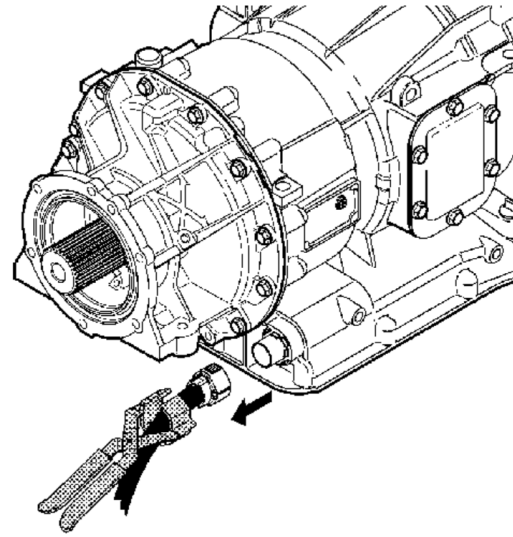
16. Remove the fuel line bracket nut from the converter housing stud.



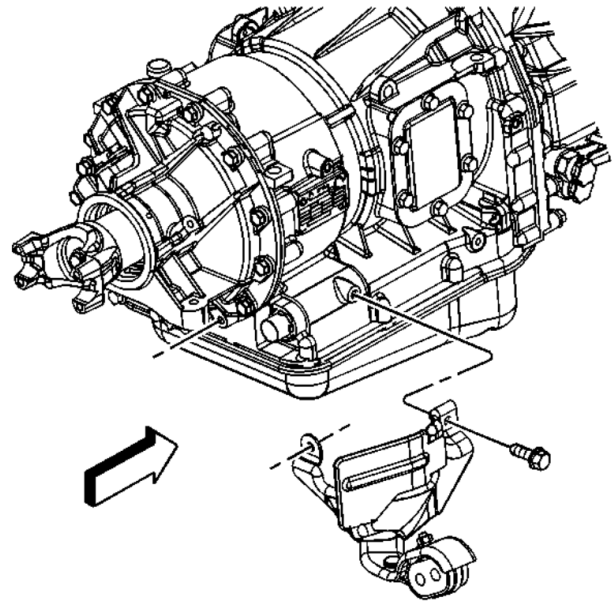
17. Disconnect the electrical connectors on the transmission and transfer case.



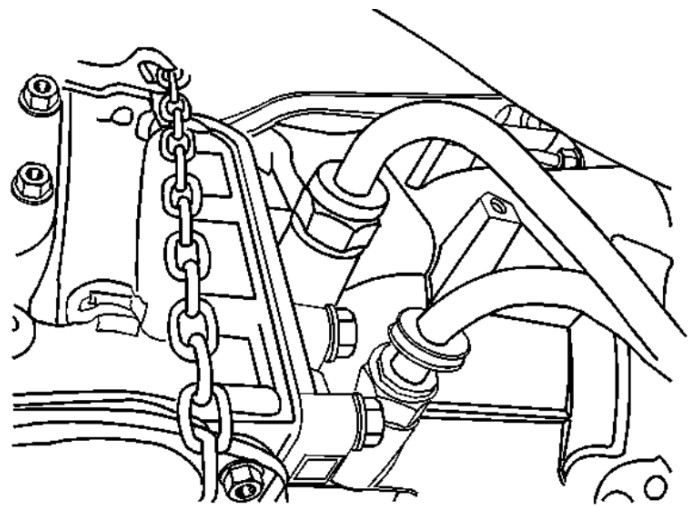
18. Disconnect the transmission main electrical connector. J 44257 tool may be used for ease.
19. Remove the transmission heat shield.



20. Remove the exhaust hanger bolts and reposition the hanger.
21. Support the transmission jack.
22. Remove the transfer case.
23. Reposition any wiring harness branches out of the way.



24. Secure a safety chain around the transmission. Use care not to overlap any wiring, fuel lines, or other related components.



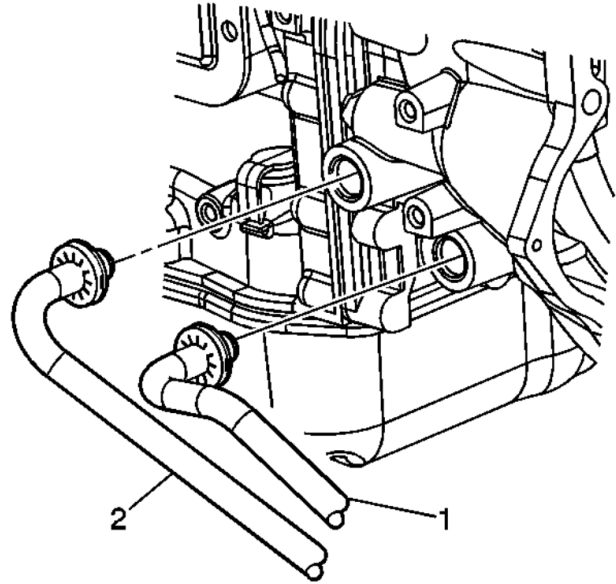
BD ENGINE BRAKE, INC.

Plant Address: 33541 MacLure Rd, Abbotsford, BC, Canada V2S 7W2

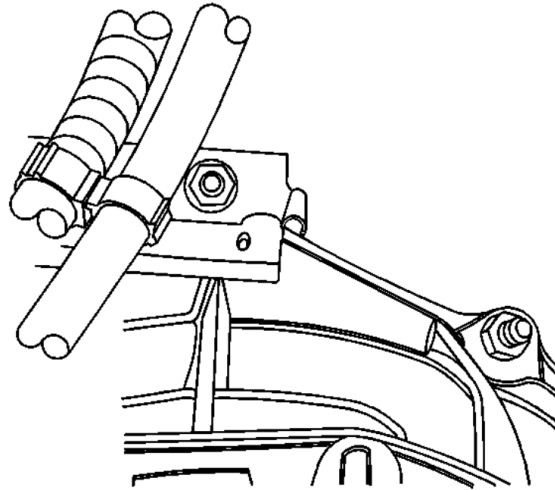
US Shipping Address: 88-446 Harrison St, Sumas, WA 98295 | US Mailing Address: PO Box 231, Sumas, WA 98295

Phone: 1-800-887-5030 | Fax: 604-853-8749 | Internet: www.dieselpower.com

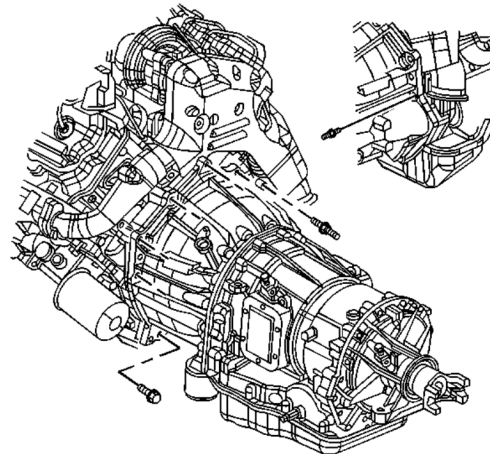
25. Disconnect the transmission oil cooler lines from the transmission.
26. Plug the transmission oil cooler line fittings in the transmission case if necessary.
27. If the vehicle is equipped with a PTO unit, disconnect and/or remove any necessary components to facilitate transmission removal.
28. Remove the transmission fill tube but from the converter housing stud.



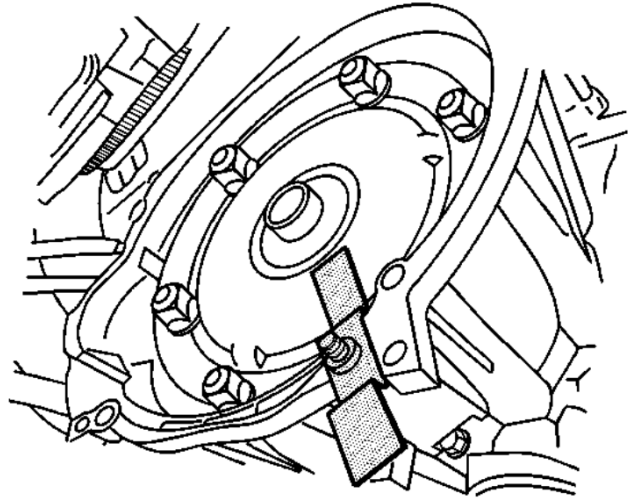
29. Remove the wire harness/vent tube bracket nut from the converter housing stud and reposition the bracket.



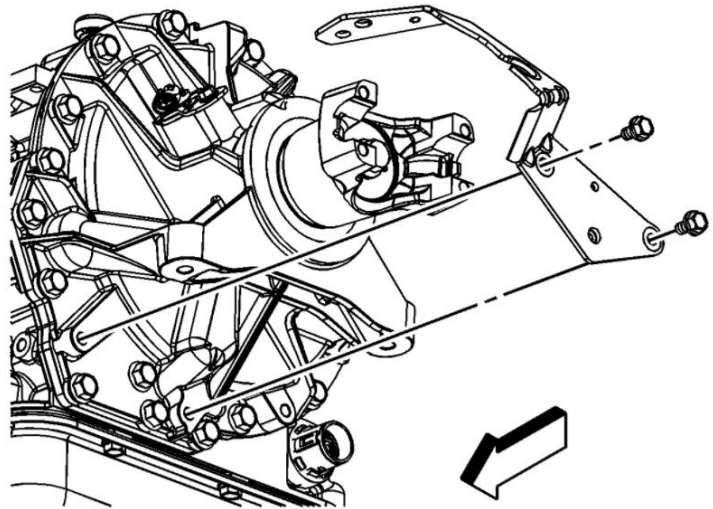
30. Remove the remaining converter housing bolts and studs.
31. Separate the transmission from the engine.



32. Install J 21366 strap to the convertor housing in order to keep the torque converter from sliding off the turbine shaft.
33. Carefully lower the transmission from the vehicle while simultaneously remove the fill tube.
34. Remove the J 21366 strap.



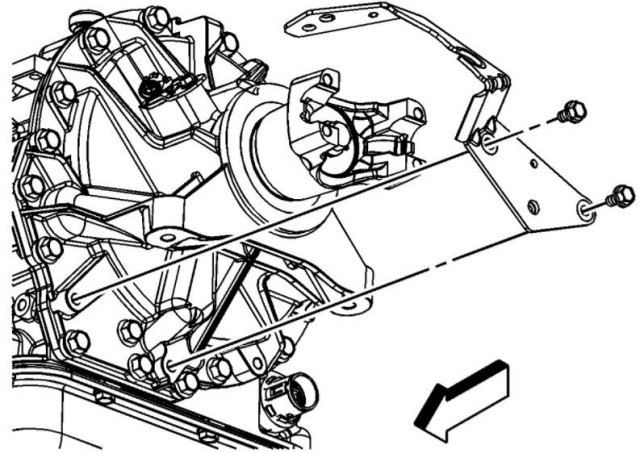
35. Remove the shift cable bracket and bolts to the transmission.
36. Flush and flow test the transmission oil cooler and lines.



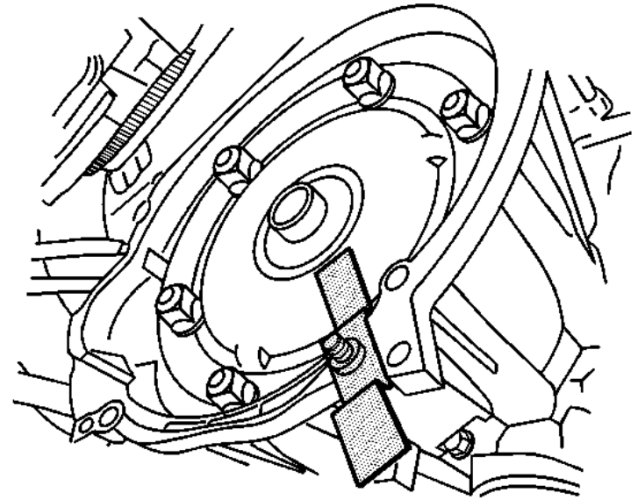
INSTALLATION

VEHICLE SHOULD BE SAFELY SECURED BEFORE INSTALLATION.

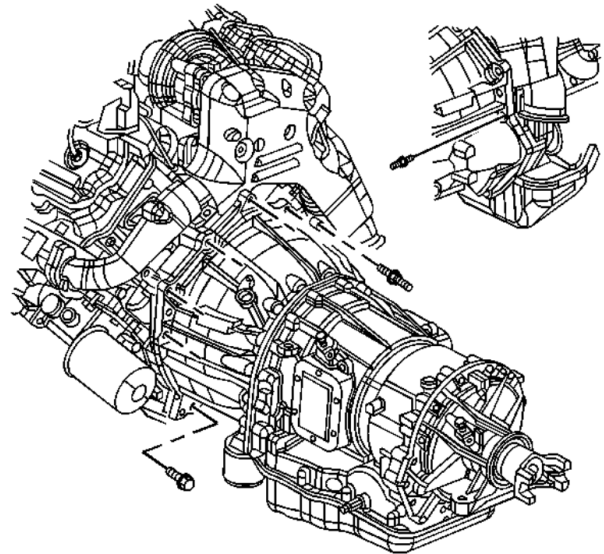
1. Install the shift cable bracket and bolts to the transmission and tighten to 25Nm (18ftlb).



2. Install the J 21366 strap to the converter housing in order to keep torque converter from sliding off the turbine shaft.
3. Raise the transmission into place while simultaneously installing the transmission fill tube.
4. Remove the J 21366 strap.



5. Align the transmission with the engine using the alignment dowels located at the rear of the engine.
6. Install the converter housing bolts and studs. Tighten the bolts/studs to 50Nm (37ftlb).



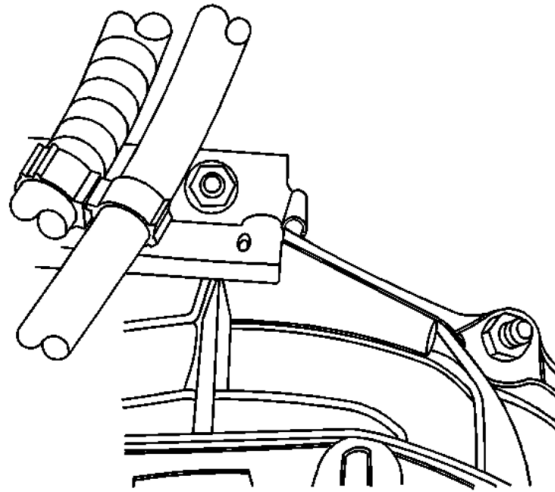
BD ENGINE BRAKE, INC.

Plant Address: 33541 MacLure Rd, Abbotsford, BC, Canada V2S 7W2

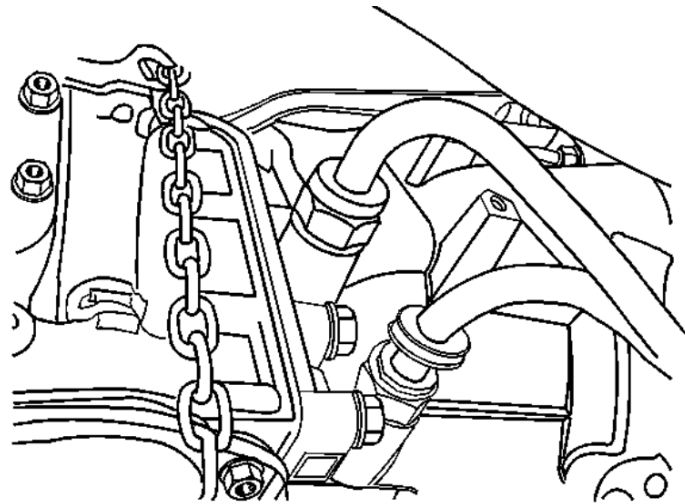
US Shipping Address: 88-446 Harrison St, Sumas, WA 98295 | US Mailing Address: PO Box 231, Sumas, WA 98295

Phone: 1-800-887-5030 | Fax: 604-853-8749 | Internet: www.dieselpower.com

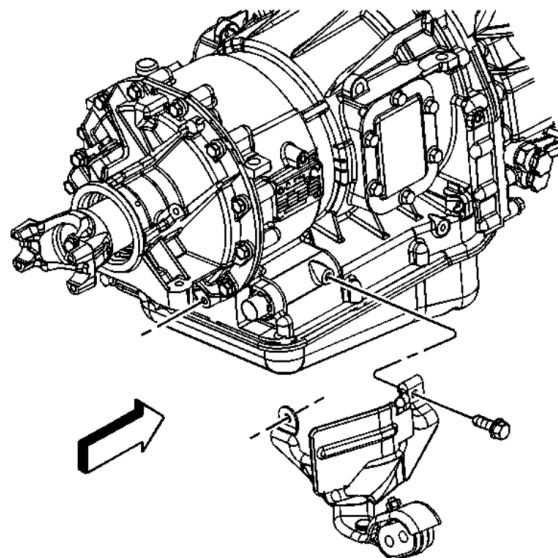
7. Install the wire harness/vent tube bracket and nut to the converter housing stud. Tighten the nut to 18Nm (13ftlb).
8. Install the transmission fill tube and nut to the converter housing stud. Tighten the nuts to 18Nm (13ftlb)
9. If the vehicle was equipped with a PTO unit, connect and/or install the components at this time.



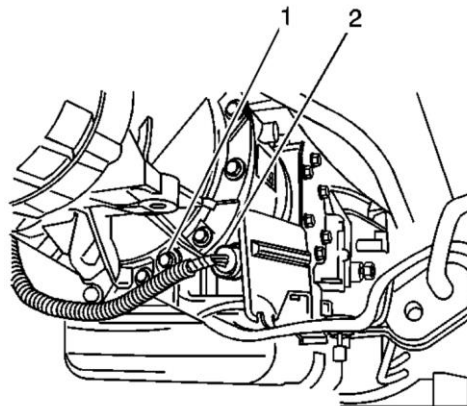
10. Remove the safety chain from around the transmission.
11. Install the transfer case, transmission support and propeller shafts.



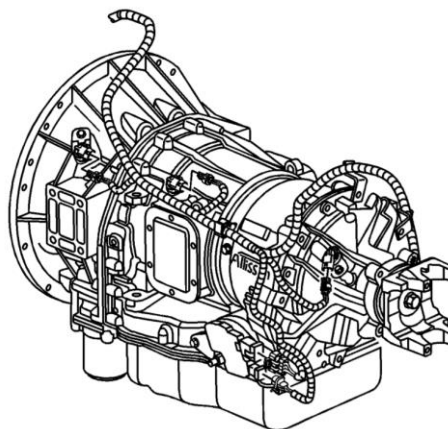
12. Position exhaust hanger and install the bolts and tighten to 12Nm (106 lb-in).
13. Install the transmission heat shield.
14. Position the wiring harness branches.



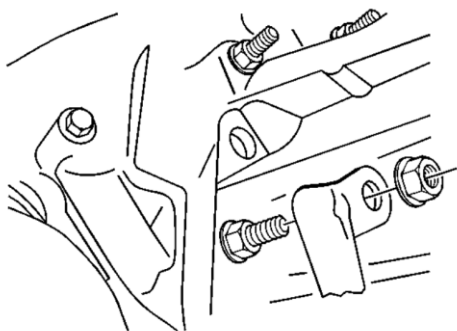
15. Connect the transmission main electrical connector.



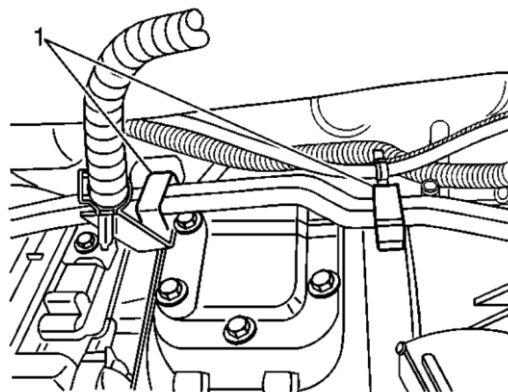
16. Connect the electrical connects on the transmission and transfer case.



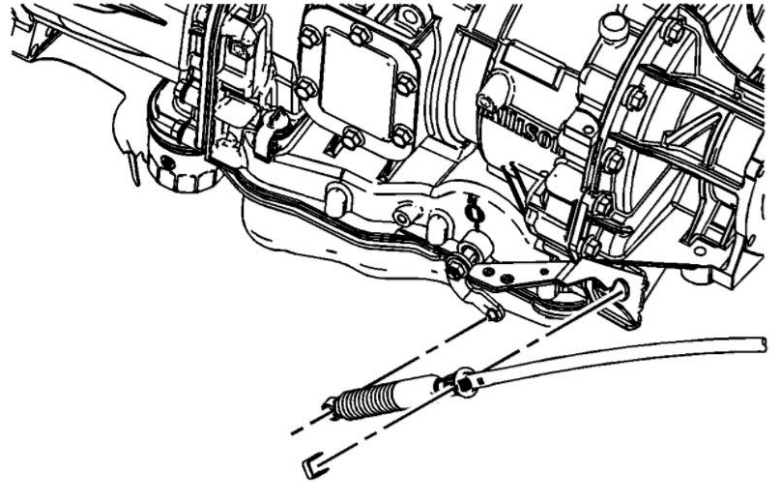
17. Install the fuel line bracket and nut to the transmission converter housing stud. Tighten the nut to 18Nm (13ftlb).



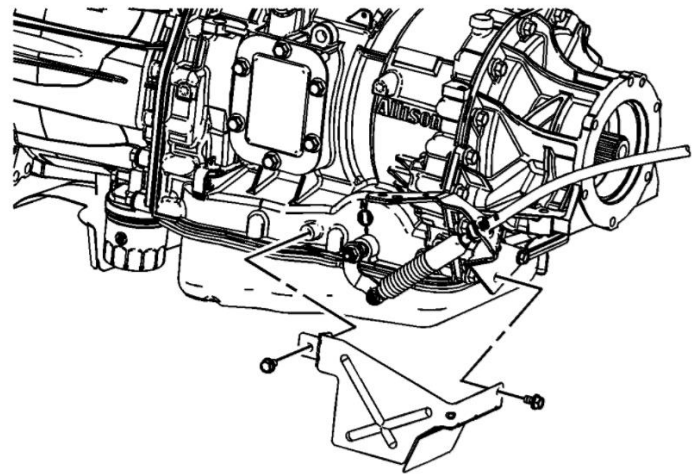
18. Install the fuel line retainer and bolts to the left side of the transmission and tighten to 2.2Nm (22 lb-in).
19. Connect the shift cable and lines to the rear bracket on the transmission.



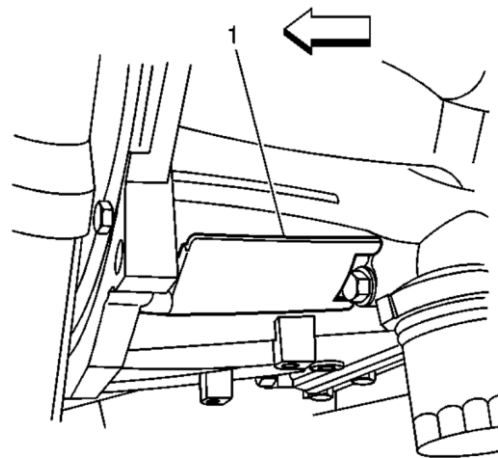
20. Install the range selector cable end to the transmission range selector lever stud.



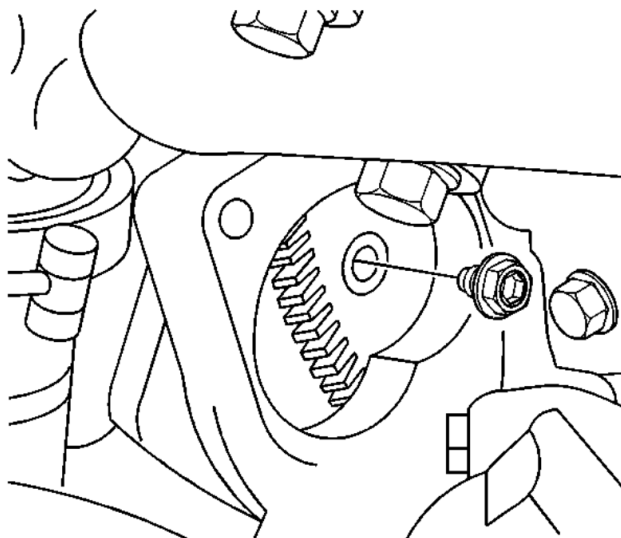
21. Install the range selector cable heat shield.
22. Install the range selector cable shield bolts. Tighten bolts to 17Nm (13ftlb).



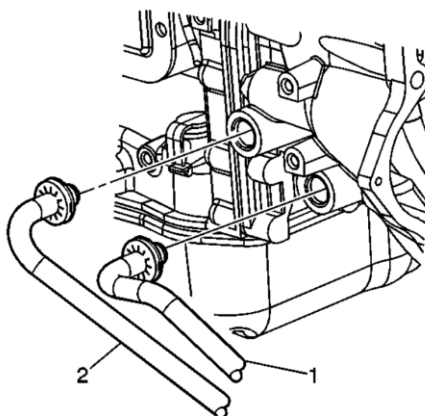
23. Remove the access hole cover on the converter housing in order to rotate the converter and align the first torque converter bolt.



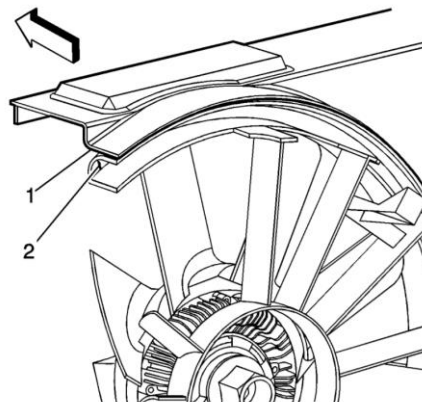
- 24. If reusing torque converter bolts, clean the bolt threads and apply LOCTITE 242 or equivalent to the threads prior to installation.
- 25. Install the torque converter bolts and tighten to 60Nm (44ftlb).
- 26. Install the converter housing access hole cover.
- 27. Install the starter motor.



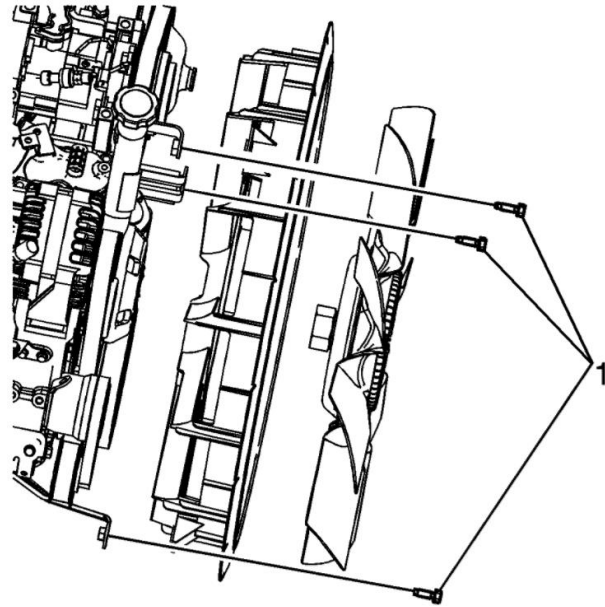
- 28. Remove the plugs from the transmission oil cooler line fittings in the transmission case, if necessary.
- 29. Connect the transmission oil cooler lines to the transmission.
- 30. Lower vehicle.



- 31. Make sure the orientation of the cooling fan shroud and rubber seal are installed correctly.



32. Fully tighten the 3 engine cooling fan shroud bolts and tighten to 8Nm (7 lb-in).
33. Install the upper fan shroud.
34. Connect both negative batter cables.
35. Fill the transmission with new transmission fluid. Use Dexron VI only.
36. Install the transmission fluid level indicator.
37. Perform the "Fast Learn" procedure using a scan tool.



SPECIAL NOTES

- BD recommends using only a back flow capable transmission flushing machine using only oil-based cleaners. DO NOT use "Transmission flush in a Can".
- Do not use water-based transmission flushing fluid. The lining in the converter clutches will disintegrate, rendering the converter useless and warranty will be voided.
- Transmission/Converter failures require that the remote filter be returned for inspection before any claim is considered, as well you will be required to submit the cooler flow rate in GPM measured at the outlet of the Oil/Air transmission cooler.

BD ENGINE BRAKE, INC.

Plant Address: 33541 MacLure Rd, Abbotsford, BC, Canada V2S 7W2

US Shipping Address: 88-446 Harrison St, Sumas, WA 98295 | US Mailing Address: PO Box 231, Sumas, WA 98295

Phone: 1-800-887-5030 | Fax: 604-853-8749 | Internet: www.dieselpower.com