

## INSTALLATION INSTRUCTIONS

### PRODUCT: STAINLESS STEEL FUEL SUPPLY TUBE NUTS

FPE-2023-93  
April, 2023

**INSTRUCTIONS FOR P/N:** FPE-CUMM-SSFTN

**FITMENT:** 2003-2022 5.9L and 6.7L Cummins and other applications with applicable cross-reference

#### KIT CONTENTS:

Item	Description	Qty
1	Tube Nuts	6



#### APPLICATION NOTES:

Replaces Cummins P/N's: 5264181, 3946625, 4893739

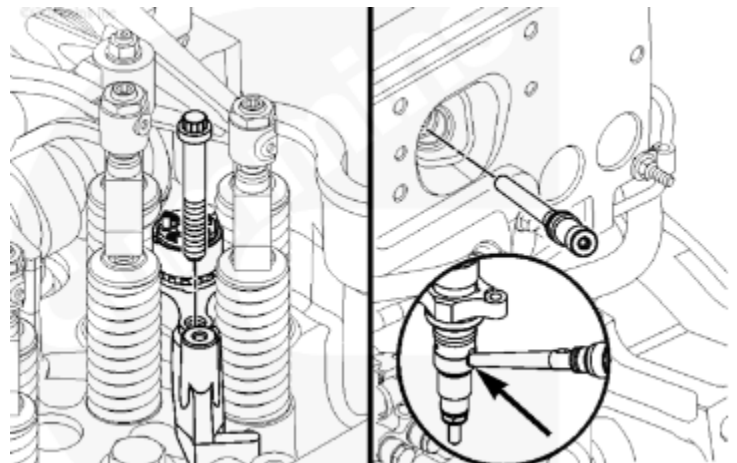
Replaces Mopar P/N: 5086866AB

Replaces Bosch P/N: F00RJ00437

**NOTE:** If a new injector is being installed, a new fuel connector tube must also be used. Start the injector hold-down clamp screw, but do not tighten.

To prevent damage to the fuel connector tube, push downward on the threaded end of the fuel connector to lift the fuel connector tip and help the connector tip seat against the injector.

Install the high-pressure fuel connector tube, making sure the end of the high-pressure fuel connector is in the injector inlet port.



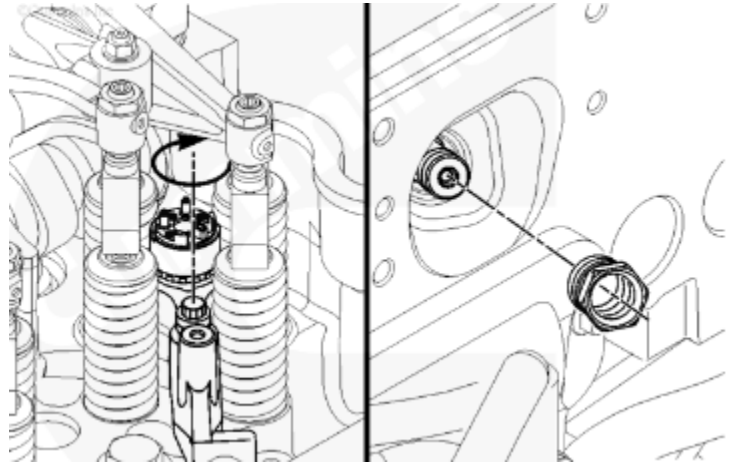
## INSTALLATION INSTRUCTIONS

Perform the initial tightening sequence (Step 1 of 2). Tighten the injector hold-down clamp screw to 44 in-lb.

*NOTE: This is not the final torque for the injector hold-down clamp.*

Lubricate the threads on the new fuel connector tube nut with clean engine oil. Perform the initial tightening sequence (Step 1 of 2). Tighten the tube nut to 11 ft-lb.

*NOTE: This is not the final torque for the high-pressure fuel connector tube nut.*



Tighten the injector hold-down clamp screw (Step 2 of 2) to a final torque of 89 in-lb.

Tighten the high-pressure fuel connector tube nut (Step 2 of 2) to a final torque of 37 ft-lb.

