

extang MaxSeal with Taper Seal®

truck bed covers

ITEMS REQUIRED: Scissors, clean rag and soap solution.

For best results apply when temperature is above 55°(F).

SCAN HERE:
Save time and
view detailed
photo instructions



www.extangmaxseal.com

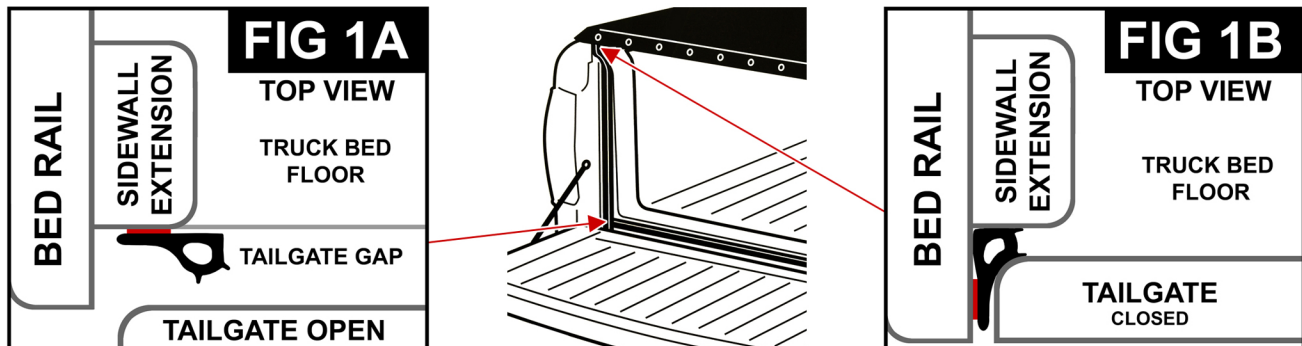
STEP 1

Clean area thoroughly with soap and water solution and wipe completely dry. Use alcohol pad to prep the tape application area and let dry. Wait until after **STEP 4** to apply **very firm pressure** to secure adhesive bond. If necessary, seal can be removed and repositioned prior to **STEP 4**.

To evaluate the best positioning for the tailgate gap, cut a 1" piece and align the top of bulb with the truck bed floor. For Chevy and GMC trucks align the top of bulb with the lower ridge of truck bed floor or just below the ridge, should truck bed floor extend over the tailgate gap. If the bulb rolls downwards when closing the tailgate, so that you can see the tape, then seal has compressed too much. This occurs sometimes with spray on bed liners and/or in front of both hinges near the sidewalls. Simply invert seal so that bulb side is down.

STEP 2: ATTACHING TO SIDEWALLS

Start 1" below truck bed floor and attach seal to the rear corner edge of the left sidewall extension (**FIG 1A**). When nearing top of sidewall, gradually rotate seal 90° counter clockwise so that bulb is facing in-ward and the taped side of seal is flush with the sidewall at the top (**FIG 1B**). For trucks with a rubber stop, flush seal to bottom of rubber and cut to fit. Continue from the top of rubber stop to the top of sidewall and attach so that bulb is facing inward and the taped side of seal is flush with the sidewall at the top (**FIG 1B**). Cut to fit. Apply **light pressure** to adhesive. Duplicate for right sidewall.



STEP 3: ATTACHING TO TAILGATE GAP

Align top of bulb with truck bed floor, except for Chevy and GMC trucks. Start at either end and flush to seal on the sidewall. Peel liner and attach in sections, apply **light pressure** to adhesive. Flush with seal on other sidewall and cut to fit.

STEP 4

Close tailgate. If you see light through the sidewalls, make adjustments by removing the seal and repositioning. If there is still light then cut pieces of seal, as needed and attach to sidewalls and/or tailgate. Do not attach adhesive to seal.

STEP 5

After seal is in place, apply **very firm pressure** to secure the entire adhesive bond. If attached to a spray on bed liner leave tailgate open for 24 hours.



REV: 8-1-16

The following instructions are valid for all U.S. domestic pickup trucks.
Due to the variety of truck designs the application may vary slightly.
Taper Seal® is a registered trademark of Extruded Solutions, Inc.