





**DOWNLOAD COLOR  
INSTALL MANUALS AT  
[www.dieselperformance.com](http://www.dieselperformance.com)**





# Ford 6.0L/6.4L Powerstroke Flexplate

<b>1041240</b>	Ford 6.4L Powerstroke
<b>1041242</b>	Ford 6.0L Powerstroke

## 1041240 Kit Contents

1401240	1401243
	
<p>Ford 6.4L Flexplate</p>	<p>Ford Flexplate Washer</p>
<p>Qty: 1</p>	<p>Qty: 1</p>

## 1041242 Kit Contents

1401242	1401243
	
<p>Ford 6.0L Flexplate</p>	<p>Ford Flexplate Washer</p>
<p>Qty: 1</p>	<p>Qty: 1</p>

## Introduction

BD Diesel Performance Ford Flexplates were designed to withstand the high torque produced from modified Powerstroke engines. Fully billet machined and black oxide coated for good looks and performance.

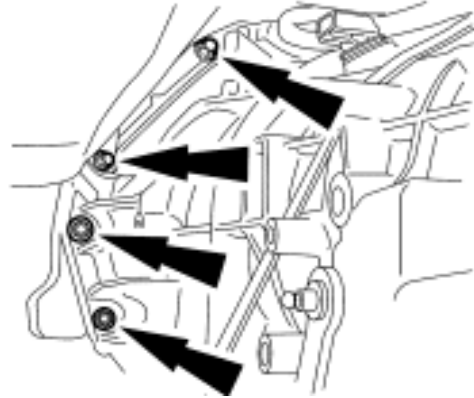
- Over two times stronger than OEM
- Fully billet machined, **NO** weld on weights.
- Black oxide coating does not cause hydrogen embrittlement like zinc plating
- Correct ring gear that won't damage starter

## Installation

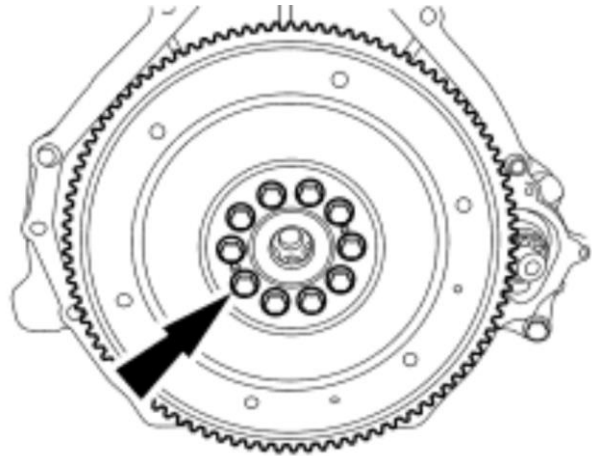


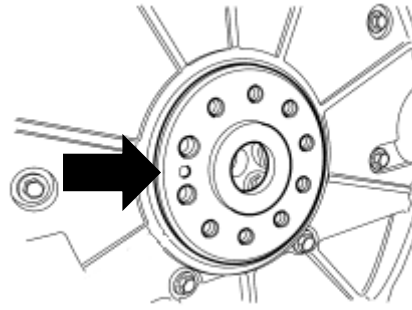
Disconnect both batteries, and secure vehicle before installation for safety.

---



Remove transmission, and factory flexplate from the truck.

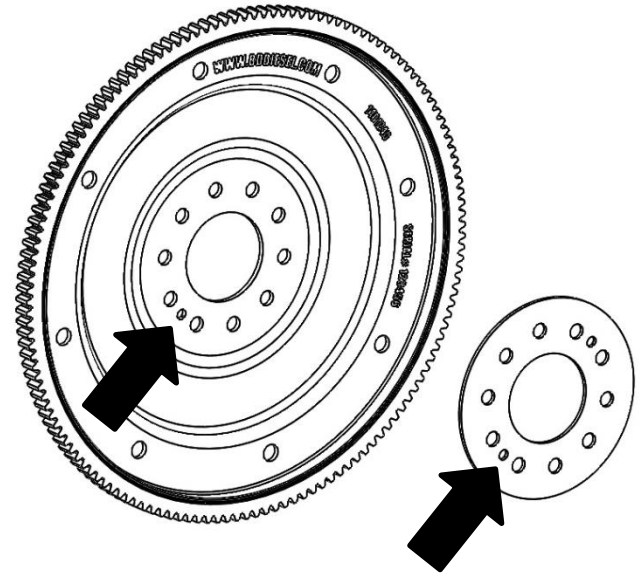




Install BD Diesel flexplate onto the crankshaft, followed by the washer.



**NOTE:** Ensure crankshaft dowel is fitting into the locating hole on the flexplate, and washer (see arrows)

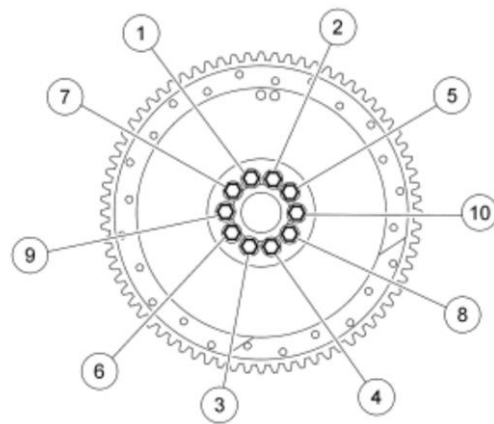


Re-install crankshaft bolts. Tighten in a two stage sequence following the order outlined in the below steps and images.

For Kit **1041242** on **6.0L Powerstroke** engines:

Torque to the below spec following the sequence in the image to the right.

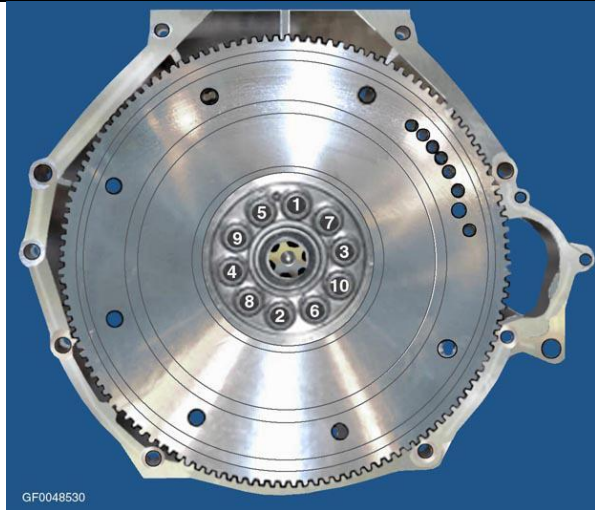
1. Torque to **4 ft-lbs**
2. Torque to **69 ft-lbs**



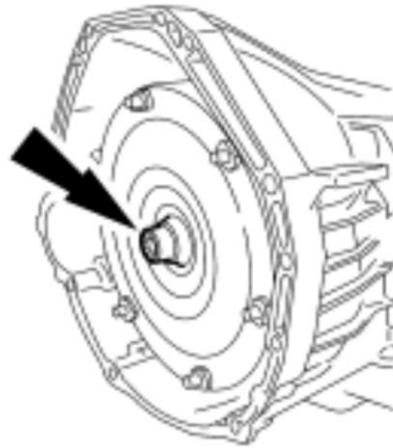
For Kit **1041240** on **6.4L Powerstroke** engines:

Torque to the below spec following the sequence in the image to the right.

1. Torque to **4 ft-lbs**
2. Torque to **69 ft-lbs**



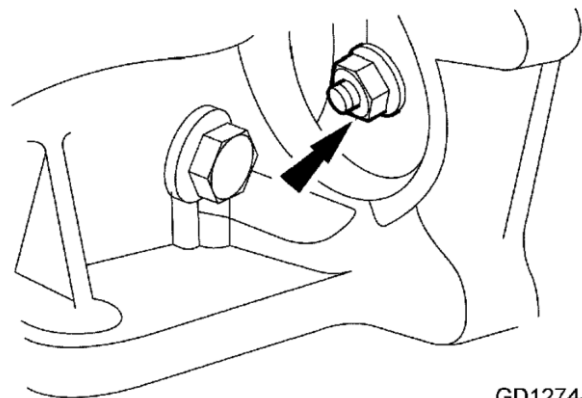
Lubricate the torque converter hub with multi-purpose grease, and re-install the transmission.



Install and torque flexplate nuts to the below specification:

Torque Converter Nuts: **35 ft-lbs**

**NOTE:** Do not over-torque these fasteners!



GD1274-A